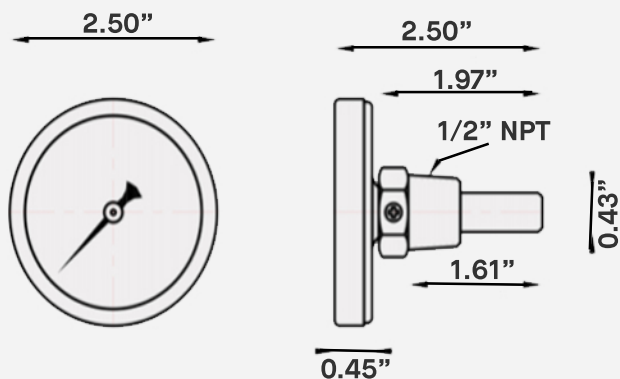


2.5" Snap Well Thermometer w/ 1/2" NPT Connection, Stainless Steel Well (32-Degree (F) to 250-Degree (F))

SKU: GTH25-50SST

FEATURES

- **Dual scale** - Fahrenheit and Celsius readouts make this 50mm stainless thermowell an economical and accurate way to measure air or water temperatures.
- **Easy to Install** - 1/2" NPT process connection makes the thermometer widely-compatible with equipment



Scale	30-250 °F / 0-120 °C
Dial	2-1/2", black markings
Case	Chromed plated steel
Lens	Glass
Ring	Stainless steel
Thermowell	SS, 1/2" NPT, L=50mm
Connection Type	Back
Stem	Brass
Pointer	Aluminum, painted black
Sensing Element	Bi-metallic element
Accuracy	2.5% of full scale