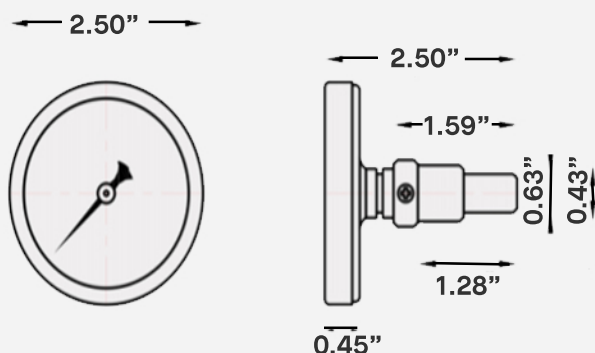


2.5" Thermometer w/ 1/2" Sweat Connection (32-Degree (F) to 250-Degree (F))

SKU: GTH25-50C

FEATURES

- **Dual scale** - Fahrenheit and Celsius readouts make this brass thermowell an economical and accurate way to measure hot water in lines, boilers, and hydronic heating applications.
- **Easy to Install** - 1/2" sweat process connection makes the thermometer widely-compatible with equipment



Scale	30-250 °F / 0-120 °C
Dial	2-1/2", black markings
Case	Chromed plated steel
Lens	Glass
Ring	Stainless steel
Thermowell	Brass, 1/2" sweat well
Connection Type	Back
Stem	Brass
Pointer	Aluminum, painted black
Sensing Element	Bi-metallic element
Accuracy	2.5% of full scale