

# 2.5" Aluminum Clamp-On Thermometer (32-Degree (F) to 250-Degree (F))

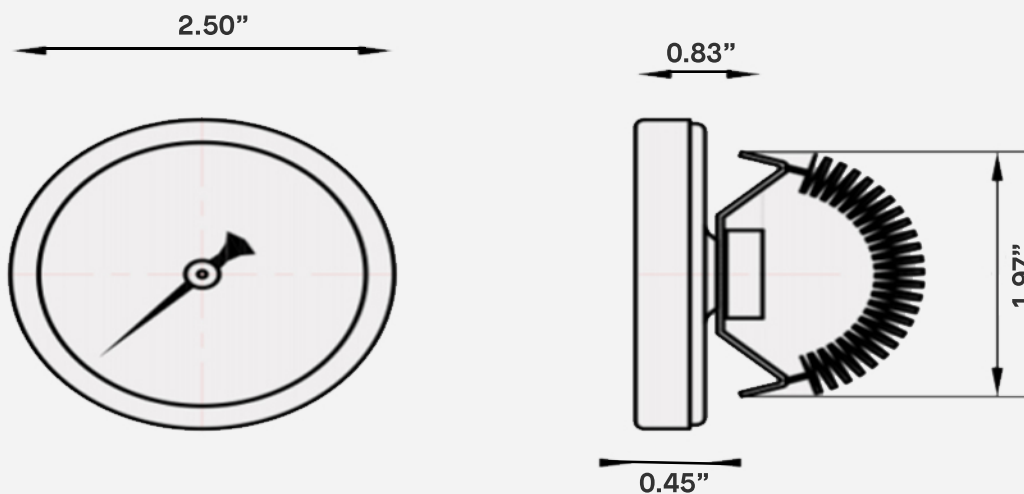
SKU: GTH25-250-CL

## APPLICATIONS

- Measuring surface temperature on pipe in the heating, ventilation, air conditioning, wastewater and industrial process markets.

## FEATURES

- Provides an economical and accurate method to measure surface temperatures on a 1/2" to 4" pipe.
- Clamp-on design with steel spring
- Dual scale (°F & °C)



Scale	0-120 °C / 30-250 °F
Dial	2-1/2", Black markings
Case	Chromed plated steel
Lens	Glass
Ring	Stainless steel
Sensing Element	Bi-metallic coil
Pointer	Aluminum, painted black
Accuracy	±3% of full scale