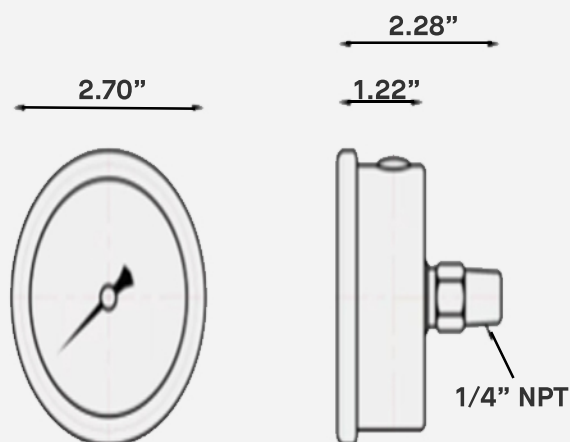


2.5" Stainless Steel Liquid Filled Gauge, Back Mount, w/ Brass Internals

FEATURES

- **Pulsation Resistant, Glycerin Filled** - ensures accuracy by reducing the effects of mechanical vibrations and pulsations
- **Stainless Steel Case** - A durable and rust-resistant casing enhances the product's longevity and allows it to withstand harsh environments
- **Brass Internals** - helps the internal components maintain their integrity over time
- **Restricted Orifice** - controls the flow of fluid, helping to stabilize pressure fluctuations and enhance accuracy
- **Crimp-On Bezel** - provides a secure fit and a reliable seal, minimizing the chance of leaks or damage
- **Dual Scale (PSI/kPa)** - allows for quick, convenient reading conversions



SKU	Scale
GSS25-100-BK	0 ~ 100 psi / 0 ~ 700 kPa

Standard	ASME B40.100
Dial	2-1/2" White, with black and red markings
Case	Polished stainless steel
Lens	Polycarbonate
Ring	Polished stainless steel
Socket	Brass
Connection	1/4" NPT, back
Pointer	Black aluminum
Over-Pressure Limit	25% of full-scale value
Working Pressure	Maximum 75% of full-scale value
Operation Temperature	Ambient: - 40°C ~ + 60 °C (-40°F ~ +140°F)
	Medium: Max +60 °C (+140°F)
Accuracy	±1.6%
Enclosure Rating	IP65