



# REPAIR PARTS

**80% GMT, GDT, GMTH and  
90% GMNT Gas Furnace Units  
("B" and "D" Revisions Only)**



GDT045-3B  
GDT070-3B  
GDT090-4B  
GDT115-5B  
GMNT040-3B  
GMNT060-3B  
GMNT080-4B  
GMNT100-4B  
GMNT120-5B  
GMNT120-5D  
GMT045-3B  
GMT070-3B  
GMT070-4B  
GMT090-3B  
GMT090-4B  
GMT090-5B  
GMT115-5B  
GMT140-5B  
GMT140-5D  
GMTH045-3B  
GMTH070-4B  
GMTH090-5B



Made in the USA by:  
Goodman Manufacturing Company, L.P.  
2550 North Loop West, Suite 400  
Houston Texas 77092

RP - 299A  
November 2003

This manual is to be used by  
qualified technicians only.

This manual replaces RP-299.

Copyright ©2002-03 Goodman Manufacturing Company, L.P.

## Important Information

---

Goodman Manufacturing Company, L.P. is not responsible for personal injury or property damage resulting from improper service. Review all service information before beginning repairs.

Warranty service must be performed by an authorized technician, using authorized factory parts. If service is required after the warranty expires, Goodman Manufacturing Company, L.P. also recommends contacting an authorized technician and using authorized factory parts.

For assistance within the U.S.A. contact:  
Consumer Affairs Department  
Goodman Manufacturing Company, L.P.  
7401 Security Way  
Houston, Texas 77040  
877-254-4729-Telephone  
713-863-2382-Facsimile

For assistance outside the U.S.A. contact:  
International Division  
Goodman Manufacturing Company, L.P.  
7401 Security Way  
Houston, Texas 77040  
713-861-2500-Telephone  
713-863-2382-Facsimile

# Index

Functional Parts List .....	4 - 5
Illustration and Parts .....	6 - 15

*Views shown are for parts illustrations only, not servicing procedures.*

Revision A: Adds models GMT140-5D and GMNT120-5D.

## Text Codes:

AR - As Required

NA - Not Available

NS - Not Shown

00000000 - See Note

QTY - Quantity Example (QTY 3) (If Quantity not shown, Quantity = 1)

M - Model Example (M1) (If M Code not shown, then part is used on all Models)

## Expanded Model Nomenclature:

Example
M1 - Model#1
M2 - Model#2
M3 - Model#3

# Functional Parts

## Part

## No: Description:

---

B1370155	AUXILLIARY LIMIT SWITCH
B1368047A	BLOWER WHEEL, 10X10 (M6, M7, M12, M19, M21, M22)
B1368034	BLOWER WHEEL, 10X6 (M1, M2, M9, M10, M13, M16, M17)
B1368016	BLOWER WHEEL, 10X8 (M3, M4, M5, M11, M14, M18)
B1368000	BLOWER WHEEL, 11X10 (M8, M15, M20)
B945672	CAPACITOR, 12.5/370 (M1, M2, M4, M8, M9, M10, M14, M15, M16, M17, M20)
B945665	CAPACITOR, 20/370 (M3, M5, M6, M7, M11, M12, M13, M18, M19)
B945666	CAPACITOR, 25/270 (M21, M22)
B1172606	FLAME SENSOR
B4089343	GAS ORIFICE, #43 (M1, M2, M3, M4, M5, M6, M7, M8, M9, M10, M11, M12, M13, M14, M15, M21)
B4089345	GAS ORIFICE, #45 (M16, M17, M18, M19, M20, M22)
B1282628	GAS VALVE, H.S.I.
4021300S	HEAT EXCHANGER SUB ASM., 2 CL, 14" (M1, M9, M13)
4021307S	HEAT EXCHANGER SUB ASM., 3 CL, 14" (M2, M10)
4021308S	HEAT EXCHANGER SUB ASM., 3 CL, 17.5" (M3, M14)
4021309S	HEAT EXCHANGER SUB ASM., 4 CL, 17.5" (M4, M5, M11)
4021310S	HEAT EXCHANGER SUB ASM., 4 CL, 21" (M6, M15)
4021311S	HEAT EXCHANGER SUB ASM., 5 CL, 21" (M7, M12)
4021312S	HEAT EXCHANGER SUB ASM., 6 CL, 24.5" (M8, M21)
B1401015S	HOT SURFACE IGNITOR
B1809913S	HSI BOARD W/9-PIN CONNECTOR
B4022700	INSHOT BURNER, 3" (QTY AR)
20046618	MOTOR DIRECT DRIVE 3/4 H.P. (M21, M22)
B1340024	MOTOR, DIRECT DRIVE, 1/2 H.P. (M3, M5, M6, M7, M11, M12, M13, M18, M19)
B1340025	MOTOR, DIRECT DRIVE, 1/3 H.P. (M1, M2, M4, M9, M10, M16, M17)
B1340023	MOTOR, DIRECT DRIVE, 3/4 H.P. (M8, M14, M15, M20)
4821400S	PRIMARY HEAT EXCHANGER ASM., 2 CL, 14" (M16)
4821401S	PRIMARY HEAT EXCHANGER ASM., 3 CL, 14" (M17)
4821402S	PRIMARY HEAT EXCHANGER ASM., 4 CL, 17.5" (M18)
4821403S	PRIMARY HEAT EXCHANGER ASM., 5 CL, 21" (M19)
4821404S	PRIMARY HEAT EXCHANGER ASM., 6 CL, 24.5" (M20, M22)
B1370205	PRIMARY LIMIT SWITCH, 140F (M21)
B1370198	PRIMARY LIMIT SWITCH, 150F (M2, M3, M4, M5, M8, M14)
B1370187	PRIMARY LIMIT SWITCH, 160F (M7, M17)
B1370188	PRIMARY LIMIT SWITCH, 170F (M16, M19, M20)
B1370206	PRIMARY LIMIT SWITCH, 180F (M22)
B1370199	PRIMARY LIMIT SWITCH, 190F (M13)
B1370189	PRIMARY LIMIT SWITCH, 200F (M1, M6, M15, M18)
B1370191	PRIMARY LIMIT SWITCH, 220F (M12)
B1370193	PRIMARY LIMIT SWITCH, 240F (M10)
B1370194	PRIMARY LIMIT SWITCH, 250F (M11)
B1370195	PRIMARY LIMIT SWITCH, 300F (M9)
B1370145	ROLLOUT SWITCH, 300 W/O BRACKET (QTY AR)
2864604S	SECONDARY HEAT EXCHANGER COIL, 14" (M16, M17)
2864605S	SECONDARY HEAT EXCHANGER COIL, 17.5" (M18)
2864606S	SECONDARY HEAT EXCHANGER COIL, 21" (M19)
2864607S	SECONDARY HEAT EXCHANGER COIL, 24.5" (M20, M22)
B1370254	STACK OVER TEMP. SWITCH (M16, M17, M18, M19, M20, M22)
B1141605	TRANSFORMER
B4059001	VENT MOTOR (M1, M2, M3, M4, M5, M6, M7, M8, M9, M10, M11, M12, M13, M14, M15, M21)

# Functional Parts

## Part

## No: Description:

---

B4833000	VENT MOTOR (M16, M17, M18, M19, M20, M22)
4078401S	WIRE HARNESS KIT, GDT (M9, M10, M11, M12)
4878400S	WIRE HARNESS KIT, GMNT (M16, M17, M18, M19, M20, M22)
4078400S	WIRE HARNESS KIT, GMT & GMTH (M1, M2, M3, M4, M5, M6, M7, M8, M13, M14, M15, M21)

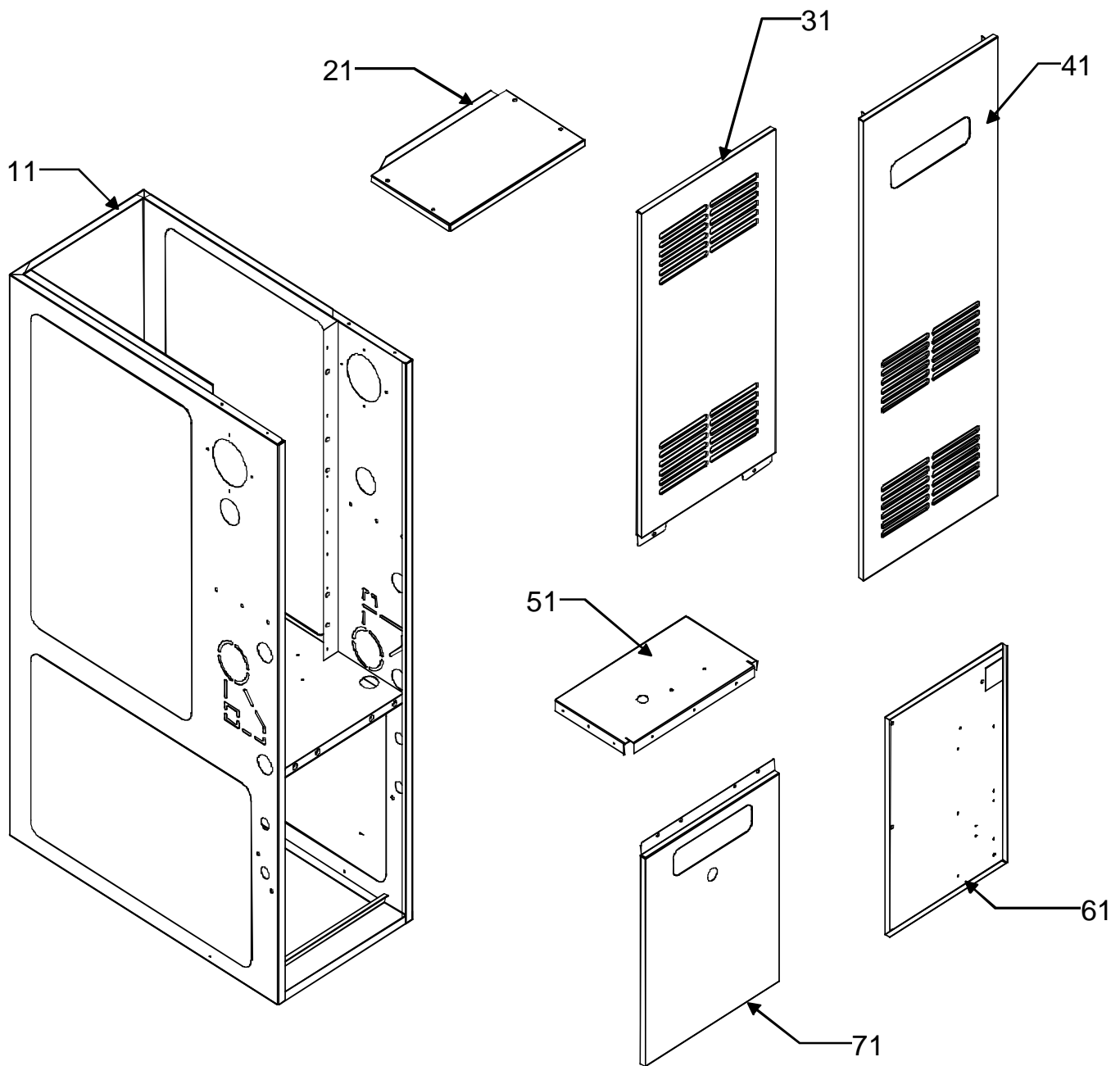
## SPECIAL PARTS

IO-231	INSTALLATION AND OWNERS MANUAL
RP-299A	REPAIR PARTS MANUAL

## Expanded Model and Color Nomenclature

M1 - GMT045-3B
M2 - GMT070-3B
M3 - GMT070-4B
M4 - GMT090-3B
M5 - GMT090-4B
M6 - GMT090-5B
M7 - GMT115-5B
M8 - GMT140-5B
M9 - GDT045-3B
M10 - GDT070-3B
M11 - GDT090-4B
M12 - GDT115-5B
M13 - GMTH045-3B
M14 - GMTH070-4B
M15 - GMTH090-5B
M16 - GMNT040-3B
M17 - GMNT060-3B
M18 - GMNT080-4B
M19 - GMNT100-4B
M20 - GMNT120-5B
M21 - GMT140-5D
M22 - GMNT120-5D

# Wrapper Assembly



# Wrapper Assembly

Ref. Part No:	Ref. Part No:	Description:	Description:
<i>Image 1:</i>			
11	4026512S	WRAPPER / INSULATION ASM., 14" (M9, M10)	51 4815803 COMBUSTION PANEL, 24.5" (M20, M22) When Ordering This Combustion Panel, Also Order B1392153, B1392155 and (2) B13926114.
11	4026515S	WRAPPER / INSULATION ASM., 14" (M1, M2, M13)	61 2515008 INNER BLOWER DOOR, 14" (M9, M10)
11	4826500S	WRAPPER / INSULATION ASM., 14" (M16, M17)	61 2515009 INNER BLOWER DOOR, 17.5" (M11)
11	4026513S	WRAPPER / INSULATION ASM., 17.5" (M11)	61 2515010 INNER BLOWER DOOR, 21" (M12)
11	4026516S	WRAPPER / INSULATION ASM., 17.5" (M3, M4, M5, M14)	71 4015000P BLOWER ACCESS DOOR 14" (M1, M2, M13, M16, M17) When Ordering This Blower Door, Also Order B1392139.
11	4826501S	WRAPPER / INSULATION ASM., 17.5" (M18)	71 4015001P BLOWER ACCESS DOOR 17.5" (M3, M4, M5, M14, M18) When Ordering This Blower Door, Also Order B1392139.
11	4026514S	WRAPPER / INSULATION ASM., 21" (M12)	71 4015002P BLOWER ACCESS DOOR 21" (M6, M7, M15, M19) When Ordering This Blower Door, Also Order B1392139.
11	4026517S	WRAPPER / INSULATION ASM., 21" (M6, M7, M15)	71 4015003P BLOWER ACCESS DOOR 24.5" (M8, M20, M21) When Ordering This Blower Door, Also Order B1392139.
11	4826502S	WRAPPER / INSULATION ASM., 21" (M19)	
11	4026518S	WRAPPER / INSULATION ASM., 24.5" (M8, M21)	
11	4826503S	WRAPPER / INSULATION ASM., 24.5" (M20, M22)	
21	4008008P	TOP, PAINTED, 14" (M1, M2, M9, M10, M13)	
21	4808000P	TOP, PAINTED, 14" (M16, M17)	
21	4008009P	TOP, PAINTED, 17.5" (M3, M4, M5, M11, M14)	
21	4808001P	TOP, PAINTED, 17.5" (M18)	
21	4008010P	TOP, PAINTED, 21" (M6, M7, M12, M15)	
21	4808002P	TOP, PAINTED, 21" (M19)	
21	4008011P	TOP, PAINTED, 24.5" (M8, M21)	
21	4808003P	TOP, PAINTED, 24.5" (M20, M22)	
31	4812000P	ACCESS DOOR 14" (M16, M17) When Ordering This Access Door, Also Order B1392139, (2) B13926119 and B13926111.	
31	4812001P	ACCESS DOOR 17.5" (M18) When Ordering This Access Door, Also Order B1392139, (2) B13926119 and B13926112.	
31	4812002P	ACCESS DOOR 21" (M19) When Ordering This Access Door, Also Order B1392139, (2) B13926119 and B13926113.	
31	4812003P	ACCESS DOOR 24.5" (M20, M22) When Ordering This Access Door, Also Order B1392139, (2) B13926119 and B13926114.	
31	4012000P	CONTROL ACCESS DOOR, 14" (M1, M2, M13)	
31	4012001P	CONTROL ACCESS DOOR, 17.5" (M3, M4, M5, M14)	
31	4012002P	CONTROL ACCESS DOOR, 21" (M6, M7, M15)	
31	4012003P	CONTROL ACCESS DOOR, 24.5" (M8, M21)	
41	4012004P	ACCESS DOOR, 14" (M9, M10)	
41	4012005P	ACCESS DOOR, 17.5" (M11)	
41	4012006P	ACCESS DOOR, 21" (M12)	
51	4815800	COMBUSTION PANEL, 14" (M16, M17) When Ordering This Combustion Panel, Also Order B1392153, B1392155 and (2) B13926111.	
51	4815801	COMBUSTION PANEL, 17.5" (M18) When Ordering This Combustion Panel, Also Order B1392153, B1392155 and (2) B13926112.	
51	4815802	COMBUSTION PANEL, 21" (M19) When Ordering This Combustion Panel, Also Order B1392153, B1392155 and (2) B13926113.	

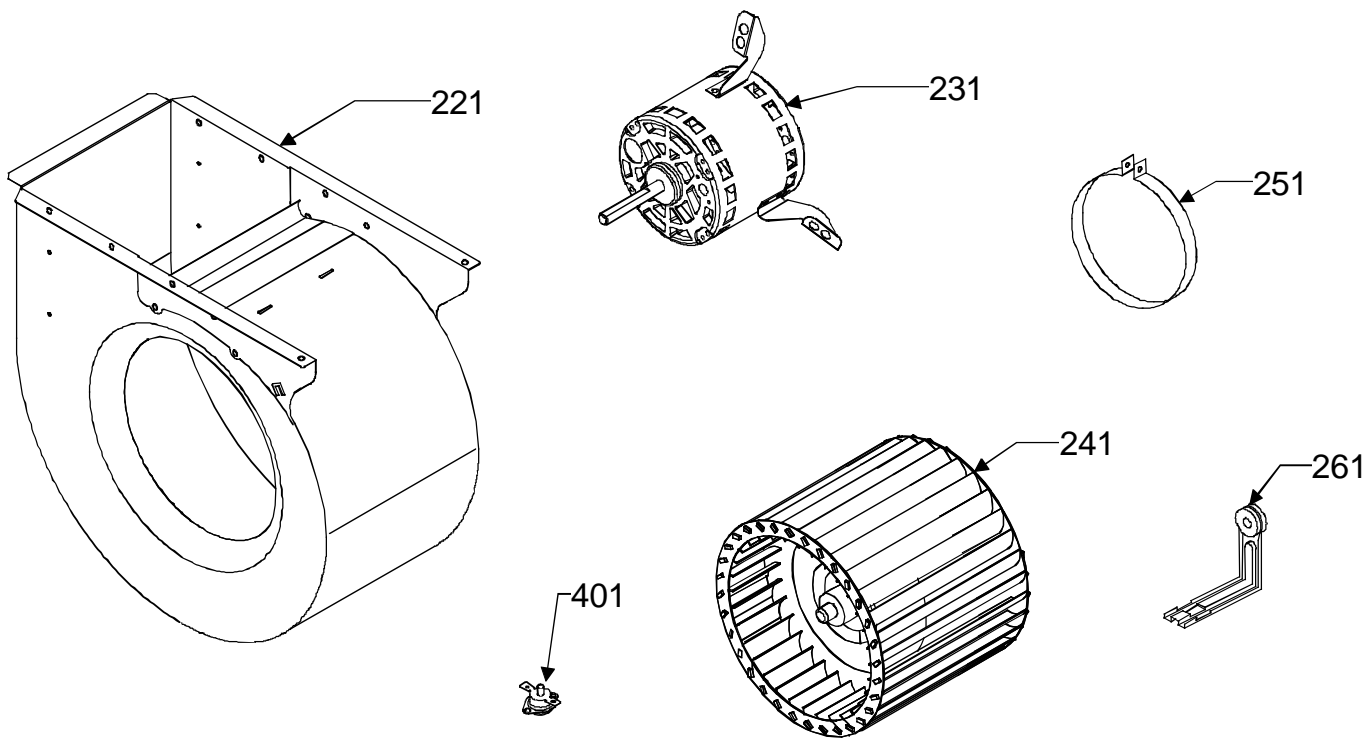
## Expanded Model Nomenclature

M1 - GMT045-3B
M2 - GMT070-3B
M3 - GMT070-4B
M4 - GMT090-3B
M5 - GMT090-4B
M6 - GMT090-5B
M7 - GMT115-5B
M8 - GMT140-5B
M9 - GDT045-3B
M10 - GDT070-3B
M11 - GDT090-4B
M12 - GDT115-5B
M13 - GMTH045-3B
M14 - GMTH070-4B
M15 - GMTH090-5B
M16 - GMNT040-3B
M17 - GMNT060-3B
M18 - GMNT080-4B
M19 - GMNT100-4B
M20 - GMNT120-5B
M21 - GMT140-5D
M22 - GMNT120-5D

## Text Codes:

AR - As Required, NA - Not Available, NS - Not Shown, 00000000 - See Note, QTY - Quantity Example (QTY 3) (If Quantity not shown, Quantity = 1), M - Model Example (M1) (If M Code not shown, then part is used on all Models)

# Blower Assembly



# Blower Assembly

**Ref. Part**

**No: No: Description:**

**Ref. Part**

**No: No: Description:**

*Image 1:*

221	2539307	BLOWER SHELL ASM., 10x10 (M6, M7, M12, M19, M21, M22)
221	2539305	BLOWER SHELL ASM., 10x6 (M1, M2, M9, M10, M13, M16, M17)
221	2539306	BLOWER SHELL ASM., 10x8 (M3, M4, M5, M11, M14, M18)
221	2539302	BLOWER SHELL ASM., 11x10 (M8, M15, M20)
231	20046618	MOTOR DIRECT DRIVE 3/4 H.P. (M21, M22)
231	B1340024	MOTOR, DIRECT DRIVE, 1/2 H.P. (M3, M5, M6, M7, M11, M12, M13, M18, M19)
231	B1340025	MOTOR, DIRECT DRIVE, 1/3 H.P. (M1, M2, M4, M9, M10, M16, M17)
231	B1340023	MOTOR, DIRECT DRIVE, 3/4 H.P. (M8, M14, M15, M20)
241	B1368047A	BLOWER WHEEL, 10X10 (M6, M7, M12, M19, M21, M22)
241	B1368034	BLOWER WHEEL, 10X6 (M1, M2, M9, M10, M13, M16, M17)
241	B1368016	BLOWER WHEEL, 10X8 (M3, M4, M5, M11, M14, M18)
241	B1368000	BLOWER WHEEL, 11X10 (M8, M15, M20)
251	B1376851	MOTOR MOUNT BAND (M8, M15, M20)
251	B1376862	MOTOR MOUNT BAND (M14)
261	B1376857	MOTOR MOUNT ARM (M8, M15, M20)
261	B1376863	MOTOR MOUNT ARM (M14)
401	B1370155	AUXILLIARY LIMIT SWITCH

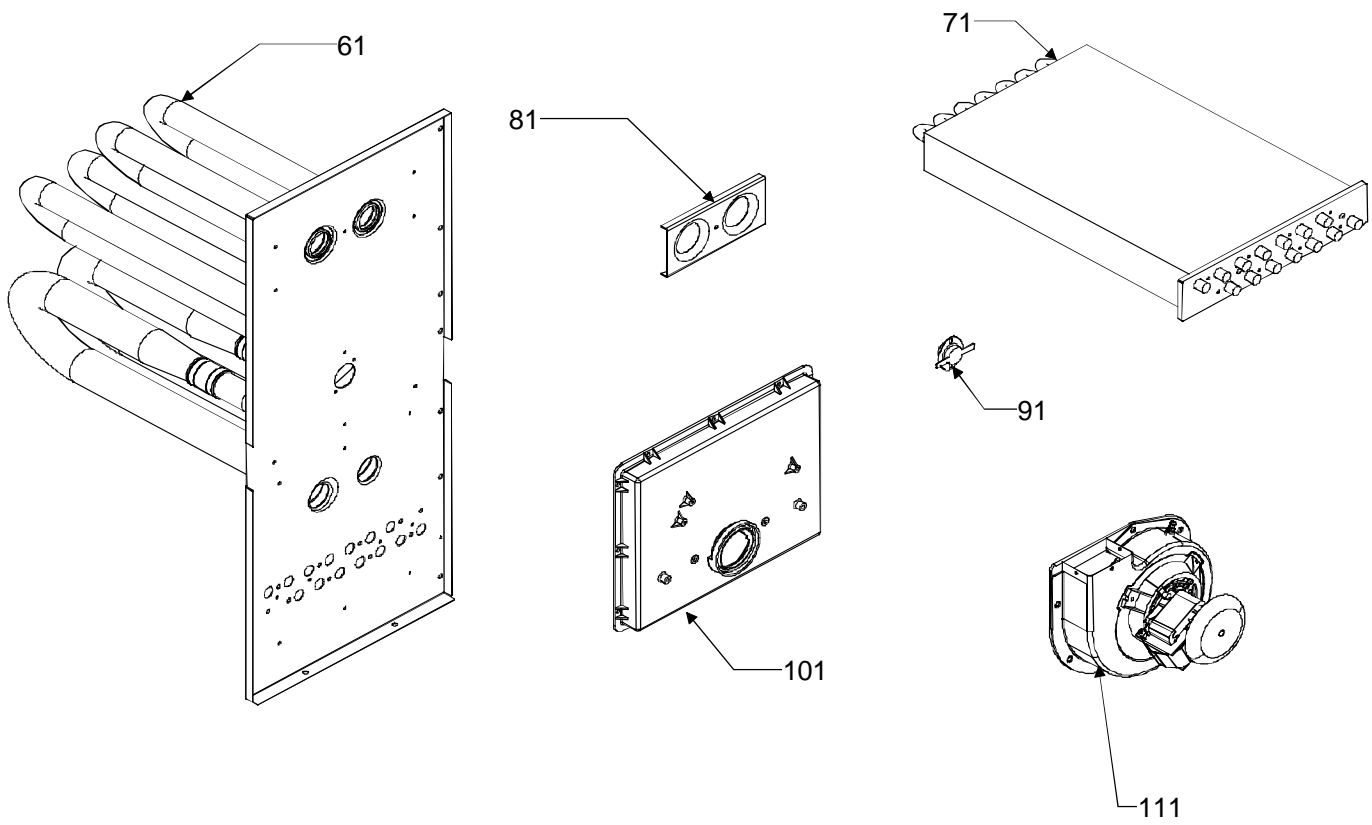
Expanded Model Nomenclature

M1 - GMT045-3B
M2 - GMT070-3B
M3 - GMT070-4B
M4 - GMT090-3B
M5 - GMT090-4B
M6 - GMT090-5B
M7 - GMT115-5B
M8 - GMT140-5B
M9 - GDT045-3B
M10 - GDT070-3B
M11 - GDT090-4B
M12 - GDT115-5B
M13 - GMTH045-3B
M14 - GMTH070-4B
M15 - GMTH090-5B
M16 - GMNT040-3B
M17 - GMNT060-3B
M18 - GMNT080-4B
M19 - GMNT100-4B
M20 - GMNT120-5B
M21 - GMT140-5D
M22 - GMNT120-5D

**Text Codes:**

AR - As Required, NA - Not Available, NS - Not Shown, 00000000 - See Note, QTY - Quantity Example (QTY 3) (If Quantity not shown, Quantity = 1), M - Model Example (M1) (If M Code not shown, then part is used on all Models)

# Heat Exchanger Assembly



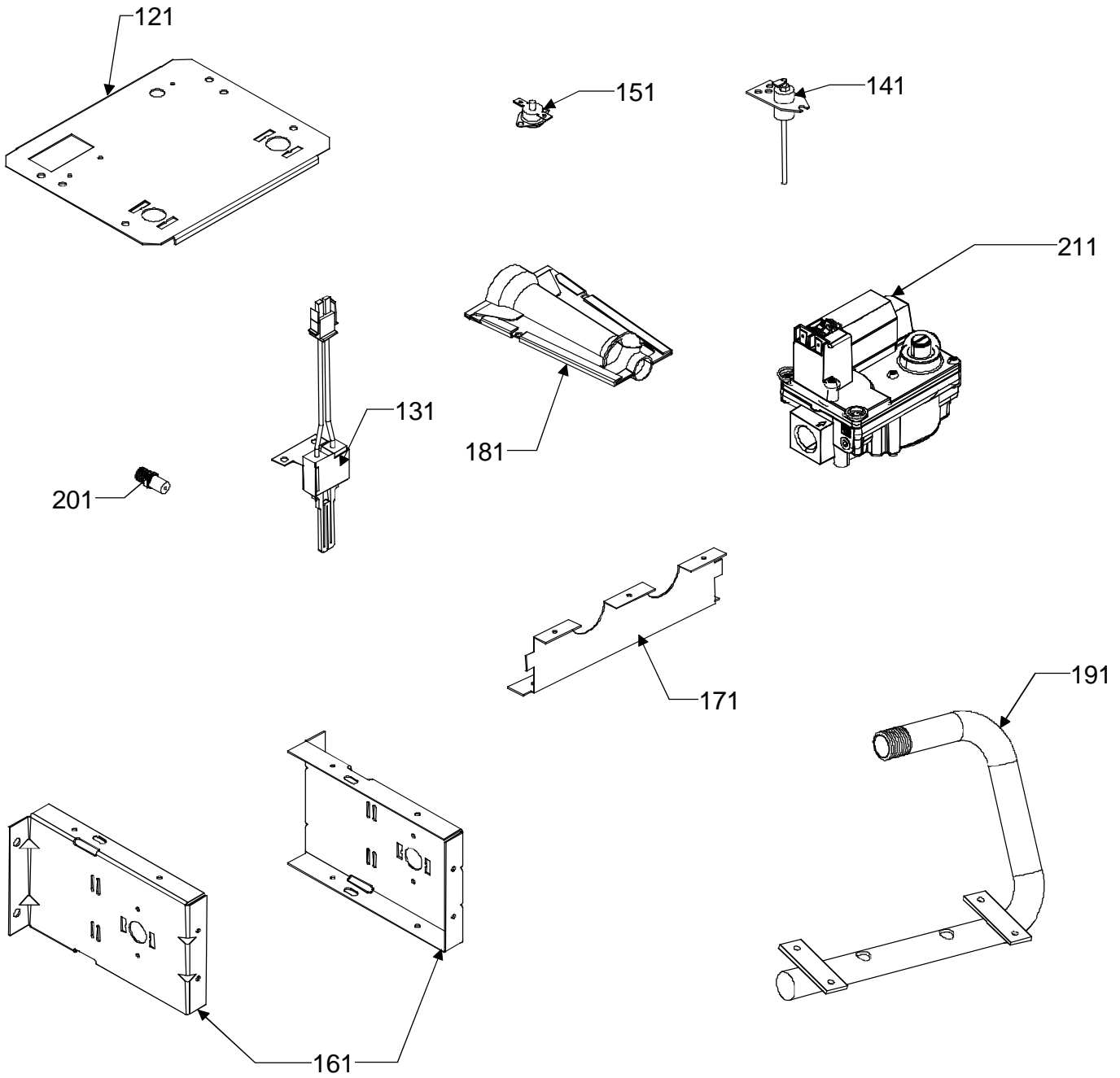
# Heat Exchanger Assembly

Ref. Part No:	Part No:	Description:	Ref. Part No:	Part No:	Description:
<i>Image 1:</i>			91	B1370195	PRIMARY LIMIT SWITCH, 300F (M9)
61	4021300S	HEAT EXCHANGER SUB ASM., 2 CL, 14" (M1, M9, M13)	101	4010012S	FLUE COLLECTOR BOX KIT, 14" (M1, M9, M13)
61	4021307S	HEAT EXCHANGER SUB ASM., 3 CL, 14" (M2, M10)	101	4010013S	FLUE COLLECTOR BOX KIT, 14" (M2, M10)
61	4021308S	HEAT EXCHANGER SUB ASM., 3 CL, 17.5" (M3, M14)	101	4810004S	FLUE COLLECTOR BOX KIT, 14" (M16, M17)
61	4021309S	HEAT EXCHANGER SUB ASM., 4 CL, 17.5" (M4, M5, M11)	101	4010014S	FLUE COLLECTOR BOX KIT, 17.5" (M3, M14)
61	4021310S	HEAT EXCHANGER SUB ASM., 4 CL, 21" (M6, M15)	101	4010015S	FLUE COLLECTOR BOX KIT, 17.5" (M4, M5, M11)
61	4021311S	HEAT EXCHANGER SUB ASM., 5 CL, 21" (M7, M12)	101	4810005S	FLUE COLLECTOR BOX KIT, 17.5" (M18)
61	4021312S	HEAT EXCHANGER SUB ASM., 6 CL, 24.5" (M8, M21)	101	4010016S	FLUE COLLECTOR BOX KIT, 21" (M6, M15)
61	4821400S	PRIMARY HEAT EXCHANGER ASM., 2 CL, 14" (M16)	101	4010017S	FLUE COLLECTOR BOX KIT, 21" (M7, M12)
61	4821401S	PRIMARY HEAT EXCHANGER ASM., 3 CL, 14" (M17)	101	4810006S	FLUE COLLECTOR BOX KIT, 21" (M19)
61	4821402S	PRIMARY HEAT EXCHANGER ASM., 4 CL, 17.5" (M18)	101	4010018S	FLUE COLLECTOR BOX KIT, 24.5" (M8, M21)
61	4821403S	PRIMARY HEAT EXCHANGER ASM., 5 CL, 21" (M19)	101	4810007S	FLUE COLLECTOR BOX KIT, 24.5" (M20, M22)
61	4821404S	PRIMARY HEAT EXCHANGER ASM., 6 CL, 24.5" (M20, M22)	111	B4059001	VENT MOTOR (M1, M2, M3, M4, M5, M6, M7, M8, M9, M10, M11, M12, M13, M14, M15, M21)
71	2864604S	SECONDARY HEAT EXCHANGER COIL, 14" (M16, M17)	111	B4833000	VENT MOTOR (M16, M17, M18, M19, M20, M22)
71	2864605S	SECONDARY HEAT EXCHANGER COIL, 17.5" (M18)	NS	B1370254	STACK OVER TEMP. SWITCH (M16, M17, M18, M19, M20, M22)
71	2864606S	SECONDARY HEAT EXCHANGER COIL, 21" (M19)	<b>Expanded Model Nomenclature</b>		
71	2864607S	SECONDARY HEAT EXCHANGER COIL, 24.5" (M20, M22)	M1 - GMT045-3B		
81	4028000	ORIFICE PLATE, 2 CL (M1, M9, M13, M16)	M2 - GMT070-3B		
81	4028001	ORIFICE PLATE, 3 CL (M2, M3, M10, M14, M17)	M3 - GMT070-4B		
81	4028002	ORIFICE PLATE, 4 CL (M4, M5, M6, M11, M15, M18)	M4 - GMT090-3B		
81	4028003	ORIFICE PLATE, 5 CL (M7, M12, M19)	M5 - GMT090-4B		
81	4028004	ORIFICE PLATE, 6 CL (M8, M20, M21, M22)	M6 - GMT090-5B		
91	B1370205	PRIMARY LIMIT SWITCH, 140F (M21)	M7 - GMT115-5B		
91	B1370198	PRIMARY LIMIT SWITCH, 150F (M2, M3, M4, M5, M8, M14)	M8 - GMT140-5B		
91	B1370187	PRIMARY LIMIT SWITCH, 160F (M7, M17)	M9 - GDT045-3B		
91	B1370188	PRIMARY LIMIT SWITCH, 170F (M16, M19, M20)	M10 - GDT070-3B		
91	B1370206	PRIMARY LIMIT SWITCH, 180F (M22)	M11 - GDT090-4B		
91	B1370199	PRIMARY LIMIT SWITCH, 190F (M13)	M12 - GDT115-5B		
91	B1370189	PRIMARY LIMIT SWITCH, 200F (M1, M6, M15, M18)	M13 - GMTH045-3B		
91	B1370191	PRIMARY LIMIT SWITCH, 220F (M12)	M14 - GMTH070-4B		
91	B1370193	PRIMARY LIMIT SWITCH, 240F (M10)	M15 - GMTH090-5B		
91	B1370194	PRIMARY LIMIT SWITCH, 250F (M11)	M16 - GMNT040-3B		
			M17 - GMNT060-3B		
			M18 - GMNT080-4B		
			M19 - GMNT100-4B		
			M20 - GMNT120-5B		
			M21 - GMT140-5D		
			M22 - GMNT120-5D		

## Text Codes:

AR - As Required, NA - Not Available, NS - Not Shown, 00000000 - See Note, QTY - Quantity Example (QTY 3) (If Quantity not shown, Quantity = 1), M - Model Example (M1) (If M Code not shown, then part is used on all Models)

# Burner Box Assembly



# Burner Box Assembly

Ref. Part No:	No:	Description:	Ref. Part No:	No:	Description:
<i>Image 1:</i>			Expanded Model Nomenclature		
121	4013005	BURNER BOX TOP, 2 CL (M1, M9, M13, M16)	M1 -	GMT045-3B	
121	4013006	BURNER BOX TOP, 3 CL (M2, M3, M10, M14, M17)	M2 -	GMT070-3B	
121	4013007	BURNER BOX TOP, 4 CL (M4, M5, M6, M11, M15, M18)	M3 -	GMT070-4B	
121	4013008	BURNER BOX TOP, 5 CL (M7, M12, M19)	M4 -	GMT090-3B	
121	4013009	BURNER BOX TOP, 6 CL (M8, M20, M21, M22)	M5 -	GMT090-4B	
131	B1401015S	HOT SURFACE IGNITOR	M6 -	GMT090-5B	
141	B1172606	FLAME SENSOR	M7 -	GMT115-5B	
151	B1370145	ROLLOUT SWITCH, 300 W/O BRACKET (QTY AR)	M8 -	GMT140-5B	
161	2514000	BURNER BOX SIDE (QTY AR)	M9 -	GDT045-3B	
171	2513500	BURNER RACK, 2 CL (M1, M9, M13, M16)	M10 -	GDT070-3B	
171	2513501	BURNER RACK, 3 CL (M2, M3, M10, M14, M17)	M11 -	GDT090-4B	
171	2513502	BURNER RACK, 4 CL (M4, M5, M6, M11, M15, M18)	M12 -	GDT115-5B	
171	2513503	BURNER RACK, 5 CL (M7, M12, M19)	M13 -	GMTH045-3B	
171	2513504	BURNER RACK, 6 CL (M8, M20, M21, M22)	M14 -	GMTH070-4B	
181	B4022700	INSHOT BURNER, 3" (QTY AR)	M15 -	GMTH090-5B	
191	B4026000	MANIFOLD, GAS 2 CL (M16)	M16 -	GMNT040-3B	
191	B4026005	MANIFOLD, GAS 2 CL (M1, M9, M13)	M17 -	GMNT060-3B	
191	B4026001	MANIFOLD, GAS 3 CL (M17)	M18 -	GMNT080-4B	
191	B4026006	MANIFOLD, GAS 3 CL (M2, M3, M10, M14)	M19 -	GMNT100-4B	
191	B4026002	MANIFOLD, GAS 4 CL (M18)	M20 -	GMNT120-5B	
191	B4026007	MANIFOLD, GAS 4 CL (M4, M5, M6, M11, M15)	M21 -	GMT140-5D	
191	B4026003	MANIFOLD, GAS 5 CL (M19)	M22 -	GMNT120-5D	
191	B4026008	MANIFOLD, GAS 5 CL (M7, M12)			
191	B4026004	MANIFOLD, GAS 6 CL (M20, M22)			
191	B4026009	MANIFOLD, GAS 6 CL (M8, M21)			
201	B4089343	GAS ORIFICE, #43 (M1, M2, M3, M4, M5, M6, M7, M8, M9, M10, M11, M12, M13, M14, M15, M21)			
201	B4089345	GAS ORIFICE, #45 (M16, M17, M18, M19, M20, M22)			
211	B1282628	GAS VALVE, H.S.I.			

## Text Codes:

AR - As Required, NA - Not Available, NS - Not Shown, 00000000 - See Note, QTY - Quantity Example (QTY 3) (If Quantity not shown, Quantity = 1), M - Model Example (M1) (If M Code not shown, then part is used on all Models)

# Misc. Components/ Drain Kit Assembly

Image 1

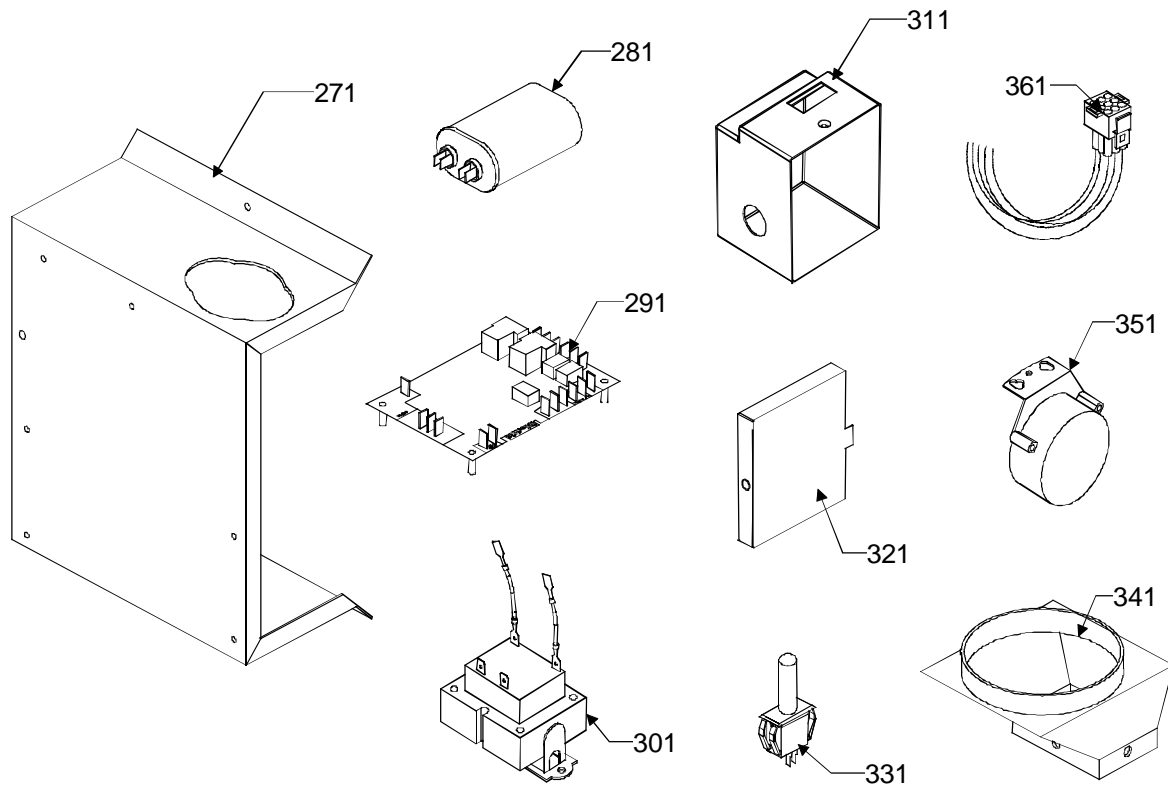
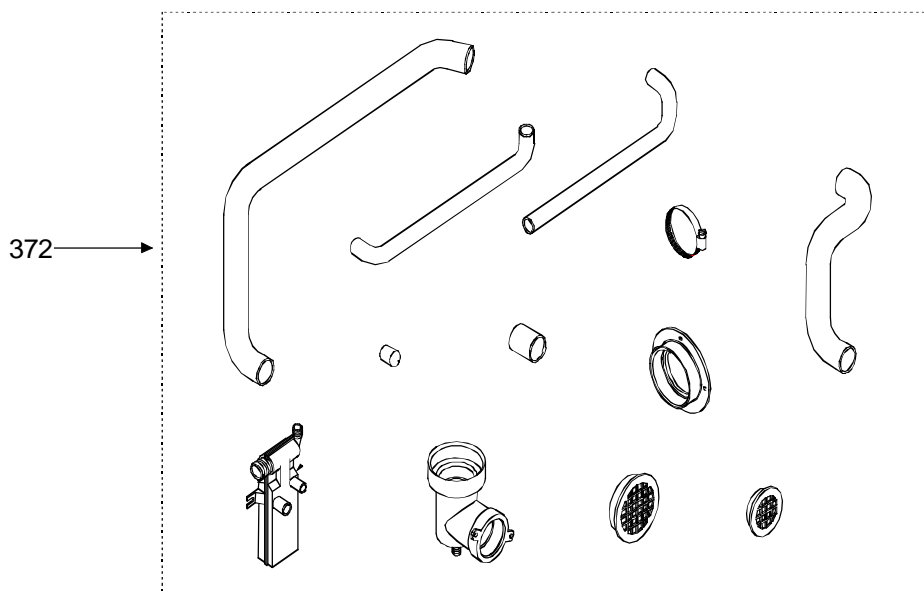


Image 2

Drain Kit Assembly



# Misc. Components/ Drain Kit Assembly

Ref. Part No:	Part No:	Description:	Ref. Part No:	Part No:	Description:
<i>Image 1:</i>			Expanded Model Nomenclature		
271	1815817	CONTROL MOUNT PANEL (M1, M2, M3, M4, M5, M6, M7, M8, M13, M14, M15, M16, M17, M18, M19, M20, M21, M22)	M1 -	GMT045-3B	
281	B945672	CAPACITOR, 12.5/370 (M1, M2, M4, M8, M9, M10, M14, M15, M16, M17, M20)	M2 -	GMT070-3B	
281	B945665	CAPACITOR, 20/370 (M3, M5, M6, M7, M11, M12, M13, M18, M19)	M3 -	GMT070-4B	
291	B945666	CAPACITOR, 25/270 (M21, M22)	M4 -	GMT090-3B	
291	B1809913S	HSI BOARD W/9-PIN CONNECTOR	M5 -	GMT090-4B	
301	B1141605	TRANSFORMER	M6 -	GMT090-5B	
311	4014500	J-BOX	M7 -	GMT115-5B	
321	4015500	J-BOX COVER	M8 -	GMT140-5B	
331	B1370819	DOOR SWITCH (M9, M10, M11, M12)	M9 -	GDT045-3B	
331	B1370820	DOOR SWITCH (M1, M2, M3, M4, M5, M6, M7, M8, M13, M14, M15, M16, M17, M18, M19, M20, M21, M22)	M10 -	GDT070-3B	
341	B2523504	CHIMNEY (BOTTOM) (M1, M2, M3, M4, M5, M6, M7, M8, M9, M10, M11, M12, M13, M14, M15, M21)	M11 -	GDT090-4B	
341	4023500	CHIMNEY (TOP) (M1, M2, M3, M4, M5, M6, M7, M8, M9, M10, M11, M12, M13, M14, M15, M21)	M12 -	GDT115-5B	
351	B1370142	AIR PRESSURE SWITCH (M1, M2, M3, M4, M5, M9, M13, M14)	M13 -	GMTH045-3B	
351	B1370148	AIR PRESSURE SWITCH (M16)	M14 -	GMTH070-4B	
351	B1370150	AIR PRESSURE SWITCH (M12, M17, M19)	M15 -	GMTH090-5B	
351	B1370158	AIR PRESSURE SWITCH (M6, M7, M15)	M16 -	GMNT040-3B	
351	B1370159	AIR PRESSURE SWITCH (M18)	M17 -	GMNT060-3B	
351	B1370176	AIR PRESSURE SWITCH (M10)	M18 -	GMNT080-4B	
351	B1370179	AIR PRESSURE SWITCH (M8, M11, M20, M21, M22)	M19 -	GMNT100-4B	
361	4078401S	WIRE HARNESS KIT, GDT (M9, M10, M11, M12)	M20 -	GMNT120-5B	
361	4878400S	WIRE HARNESS KIT, GMNT (M16, M17, M18, M19, M20, M22)	M21 -	GMT140-5D	
361	4078400S	WIRE HARNESS KIT, GMT & GMTH (M1, M2, M3, M4, M5, M6, M7, M8, M13, M14, M15, M21)	M22 -	GMNT120-5D	

<i>Image 2:</i>		
372	B4810708	DRAIN KIT ASM., 14" (M16, M17)
372	B4810709	DRAIN KIT ASM., 17.5" (M18)
372	B4810710	DRAIN KIT ASM., 21" (M19)
372	B4810711	DRAIN KIT ASM., 24.5" (M20, M22)

## Text Codes:

AR - As Required, NA - Not Available, NS - Not Shown, 00000000 - See Note, QTY - Quantity Example (QTY 3) (If Quantity not shown, Quantity = 1), M - Model Example (M1) (If M Code not shown, then part is used on all Models)