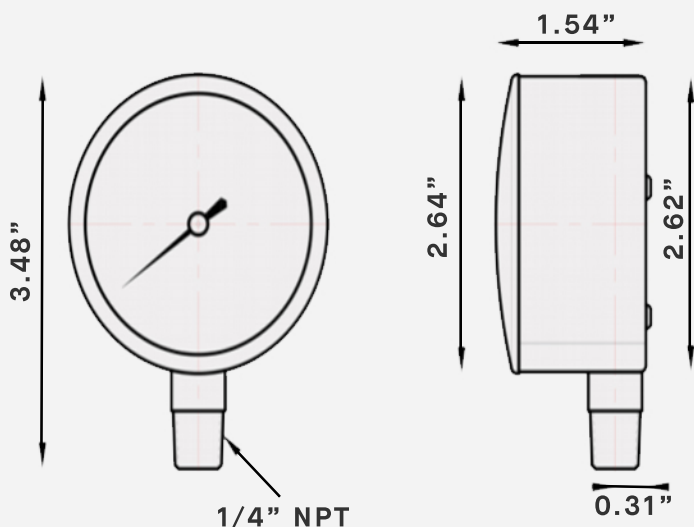


# 2.5" Steel Low Pressure Gauge, Bottom Mount, w/ Brass Internals (0-5 PSI)

SKU: GLP25-5-BM

## FEATURES

- Suitable for measuring dry and gaseous media.
- Used to measure natural gas pressure as well as air flow indications and leak detections.
- Applications: Vacuum pumps, air compressors, air filters, gas burners, vacuum ovens, suction regulators and respirators.
- Brass wetted parts



Scale	0-5 psi / 0-35 kPa
Dial	2-1/2" White aluminum with black markings
Case	Black painted steel
Lens	Push-in, Acrylic
Socket	Brass
Connection	1/4" NPT, bottom
Pointer	Black aluminum
Over-Pressure Limit	25% of full-scale value
Working Pressure	60% of full-scale value (fluctuating)
	75% of full-scale value (static)
Operation Temperature	Ambient: - 40°C ~ 60 °C (-40°F ~ 140°F)
	Medium: Max 60 °C (140°F)
Accuracy	±3-2-3%
Enclosure Rating	IP50