

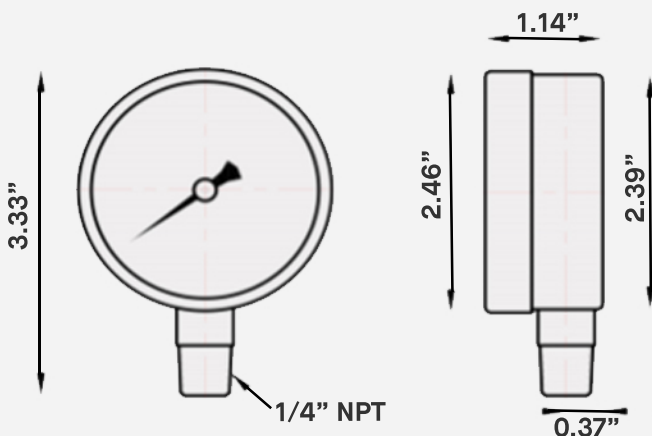
2.5" Dual Scale Economy Pressure Gauge, Bottom Mount

APPLICATIONS

- Plumbing, heating, air conditioning, pneumatic, hydraulic, water tanks, and air compressors.

FEATURES

- Most economical all purpose pressure gauge
- Friction bezel rings
- Brass internals
- Dual scale (psi/kPa)



SKU	Scale
GEPD25-15-BM	0 ~ 15 PSI / 0 ~ 100 kPa
GEPD25-30-BM	0 ~ 30 PSI / 0 ~ 200 kPa
GEPD25-60-BM	0 ~ 60 PSI / 0 ~ 400 kPa
GEPD25-100-BM	0 ~ 100 PSI / 0 ~ 700 kPa

Standard	ASME B40.100
Dial	2-1/2" black and red markings
Case	Black painted steel
Lens	Glass
Ring	Black painted steel
Socket	Brass
Connection	1/4" NPT, bottom
Bourdon Tube	Copper alloy
Pointer	Black aluminum
Over-Pressure Limit	25% of full-scale value
Working Pressure	Maximum 75% of full-scale value
Operation Temperature	Ambient: - 40°C ~ + 60 °C (-40°F ~ +140°F) Medium: Max +70 °C (+158°F)
Accuracy	±3-2-3%
Enclosure Rating	IP52