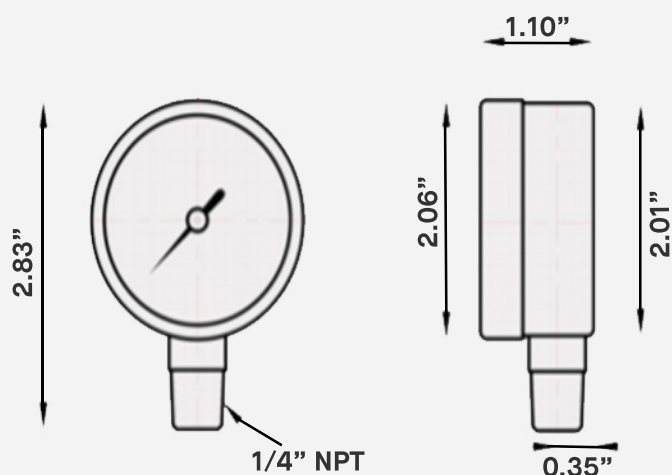


2" Dual Scale Economy Pressure Gauge, Bottom Mount

FEATURES

- **Friction Bezel Rings** – Hold the gauge in place while still allowing the position of the face to be adjusted
- **Black Steel Case** - makes the scale highly durable
- **Brass Internals** - for reliable, long-term performance
- **Dual Scale** – Measures both pressure and temperature in multiple units (kPa & PSI)
- **Remarkably Accurate** - rated at +/- 3-2-3% accuracy



SKU	Scale
GEPD2-15-BM	0 ~ 15 PSI / 0 ~ 100 kPa
GEPD2-30-BM	0 ~ 30 PSI / 0 ~ 200 kPa
GEPD2-60-BM	0 ~ 60 PSI / 0 ~ 400 kPa
GEPD2-100-BM	0 ~ 100 PSI / 0 ~ 700 kPa
GEPD2-160-BM	0 ~ 160 PSI / 0 ~ 1100 kPa
GEPD2-200-BM	0 ~ 200 PSI / 0 ~ 1400 kPa

Standard	ASME B40.100
Dial	2" White aluminum with black and red markings
Case	Black painted steel
Lens	Acrylic
Ring	Black painted steel
Socket	Brass
Connection	1/4" NPT, bottom
Bourdon Tube	Copper alloy
Pointer	Black aluminum
Over-Pressure Limit	25% of full-scale value
Working Pressure	Maximum 75% of full-scale value
Operation Temperature	Ambient: - 40°C ~ + 60 °C (-40°F ~ +140°F)
	Medium: Max +70 °C (+158°F)
Accuracy	±3-2-3%
Enclosure Rating	IP52