

Bluefin

SKU: GEP2 Series

2" PEM Dual Scale Economy Pressure Gauge



Features:

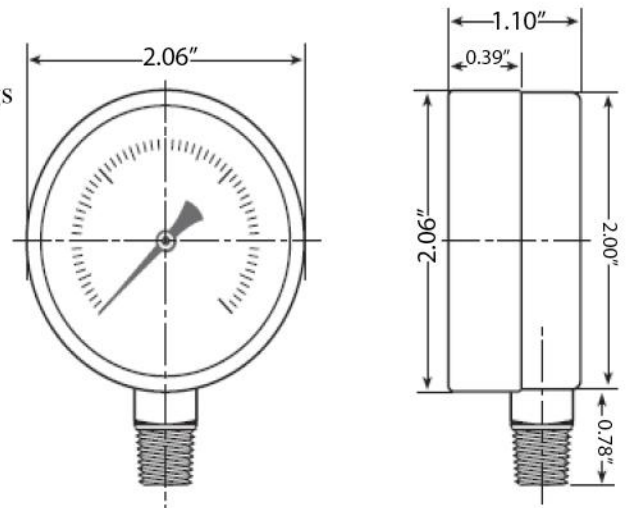
Most economical, all-purpose pressure gauge
Friction bezel rings
Black steel case
Brass internals
Dual scale (psi/kPa)
±2.5% accuracy

Applications:

Plumbing, heating, air conditioning, pneumatic, hydraulic, water tanks, air compressors, OEM.

Specifications:

Standard	EN 837-1
Dial	2" White aluminum with black and red markings
Case	Black painted steel
Lens	Glass
Ring	Black painted steel
Socket	Brass
Connection	1/4" NPT, bottom
Bourdon Tube	Copper alloy
Pointer	Black aluminum
Over-Pressure Limit	25% of full scale value
Working Pressure	Maximum 75% of full scale value
Operation Temperature	Ambient: - 40°C – + 60 °C (-40°F – +140°F) Medium: Max +70 °C (+158°F)
Accuracy	±2.5%
Enclosure Rating	IP45



SKU:	Scale
GEP2-15-DS	0 – 15 PSI / 0 – 100 kPa
GEP2-30-DS	0 – 30 PSI / 0 – 200 kPa
GEP2-60-DS	0 – 60 PSI / 0 – 400 kPa
GEP2-100-DS	0 – 100 PSI / 0 – 700 kPa
GEP2-160-DS	0 – 160 PSI / 0 – 1100 kPa