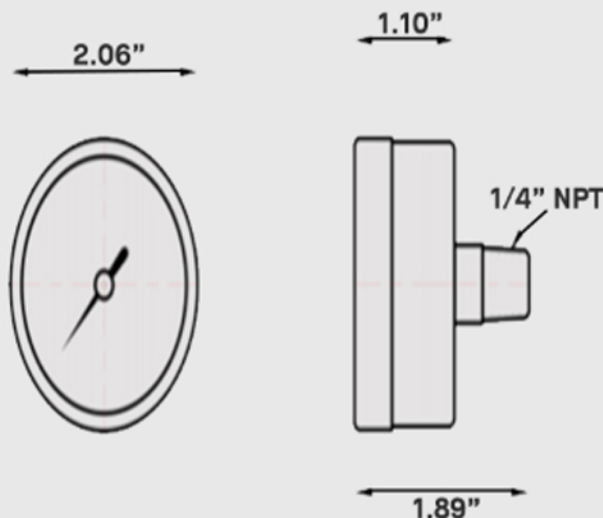


2" Pressure Gauge, Back Mount (0-100 PSI)

SKU: GEP-100-BK

FEATURES

- **Applications:** Plumbing, heating, air conditioning, pneumatic, hydraulic, water tanks, and air compressors
- **Friction Bezel Rings** – Holds the gauge in place while still allowing the position of the face to be adjusted
- **Black Steel Case** - makes the gauge highly durable
- **Lead Free Brass Connector** - Made from certified lead-free brass for safe and effective use near hydronics and potable water systems
- **Highly Legible** – The single scale PSI readout and bold indicators makes the gauge easy to check quickly



Standard	ASME B40.100
Scale	0 - 100 psi
Dial	2" White aluminum with black markings
Case	Black painted steel
Lens	Acrylic
Ring	Black painted steel
Connection	1/4" NPT, lead free brass, back
Bourdon Tube	Copper alloy
Pointer	Black aluminum
Over-Pressure Limit	25% of full scale value
Working Pressure	Maximum 75% of full scale value
Operation Temperature	Ambient: - 40°C ~ + 60 °C (-40°F ~ +140°F) Medium: Max +70 °C (+158°F)
Accuracy	±3-2-3%
Enclosure Rating	IP52