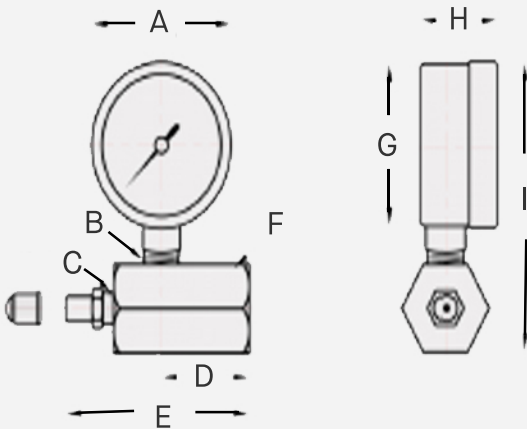


2" Economy Gas Test Pressure Gauge

(0-100 PSI)

FEATURES

- Residential and commercial pressure testing of natural gas and air.
- Economical pressure gauge and valve body assembly used for pressure testing.
- Bleed port and plated housing on the gas test assembly.



SKU	Scale	A	B	C	D	E	F	G	H	I
GEG-15	0-15 PSI	2.06"	1/4" NPT	1/8" NPT	1.30"	2.72"	3/4" NPT	2.01"	1.10"	3.35"
GEG-30	0-30 PSI	2.06"	1/4" NPT	1/8" NPT	1.30"	2.72"	3/4" NPT	2.01"	1.10"	3.35"
GEG-60	0-60 PSI	2.06"	1/4" NPT	1/8" NPT	1.30"	2.72"	3/4" NPT	2.01"	1.10"	3.35"
GEG-100	0-100 PSI	2.06"	1/4" NPT	1/8" NPT	1.30"	2.72"	3/4" NPT	2.01"	1.10"	3.35"

Dial	2" Black aluminum with black markings
Case	Black painted steel
Lens	Acrylic
Ring	Black painted steel, bezel
Socket	Brass
Gauge Connection	1/4" NPT, Bottom
Air Valve	1/8" NPT
Process Connection	3/4" NPT
Bourdon Tube	Copper alloy
Pointer	Black aluminum
Over-Pressure Limit	25% of full scale value
Working Pressure	Maximum 75% of full scale value
Operation Temperature	Ambient -40°F to 140°F, Medium Max 140°F
Accuracy	±3-2-3%
Enclosure Rating	IP52