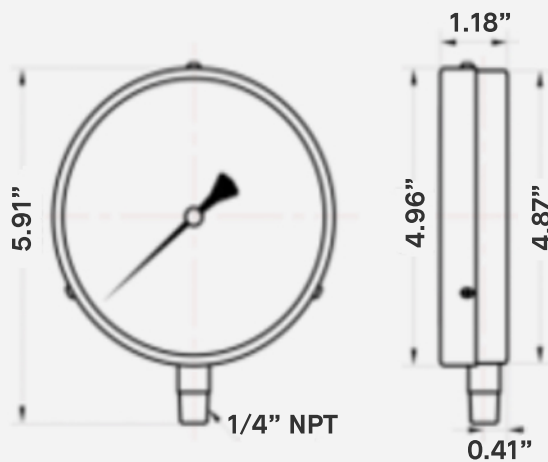


4.5" Contractor Pressure Gauge, Bottom Mount

FEATURES

- Economical 4.5" stainless steel case gauge
- Applications: Most commercial air, water and steam services that require a $\pm 1\%$ full-scale accuracy.
- Zero adjustment screw
- 1/4" NPT
- Protection class: IP52



SKU	Scale
GCP-15-BM	0 - 15 PSI
GCP-60-BM	0 - 60 PSI
GCP-100-BM	0 - 100 PSI
GCP-160-BM	0 - 160 PSI

Standard	ASME B40.100
Dial	4.5" White aluminum with black markings
Case	304 Stainless Steel
Lens	Polycarbonate
Ring	304 Stainless Steel
Socket	Brass
Connection	1/4" NPT, bottom
Bourdon Tube	Copper Alloy
Pointer	Black Aluminum
Over-Pressure Limit	25% of full-scale value
Working Pressure	Maximum 75% of full-scale value
Operation Temperature	Ambient -40°C ~ 60°C (-40°F ~ 140°F) Medium: Maximum 70°C (158°F)
Accuracy	$\pm 1\%$
Enclosure Rating	IP52