

Commercial Two Handle 8" Wall Mount Service Sink Faucet

Model: FTC28T9

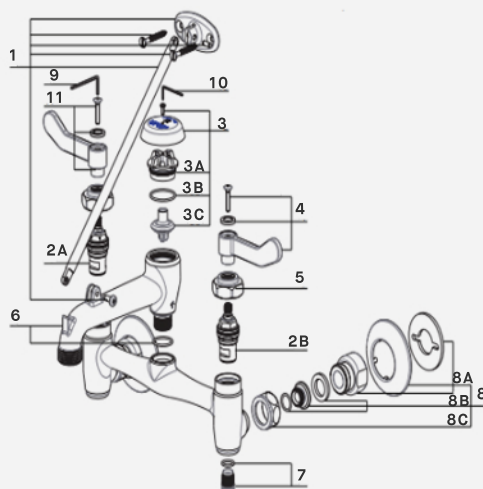
FEATURES

- Brass body
- Zinc handle
- G 1/2" 90 degree ceramic cartridges
- 1/2" NPT female inlet connections
- No aerator or pop up waste
- Rough chrome finish
- Flow rate: 3.8 gpm @ 20 psi



REPLACEMENT PARTS

No.	Description
1	Support Rod with Screws
2A	Ceramic Disc Cartridge - Hot
2B	Ceramic Disc Cartridge - Cold
3	Vacuum Breaker
3A	Vacuum Breaker Cover
3B	O-Ring
3C	Vacuum Breaker Insert
4	Metal Handle Assembly with Cold Index Button
5	Retainer Nut
6	Spout Assembly
7	Stops
8	Mounting Hardware
8A	Flange
8B	Coupling Assembly
8C	Coupling Nut
9	Hex Wrench (3mm)
10	Hex Wrench (2mm)
11	Metal Handle Assembly with Hot Index Button



TOOLS YOU WILL NEED



ADJUSTABLE WRENCH



PHILLIPS SCREWDRIVER



PIPE TAPE



GROOVE JOIN PLIERS

INSTALLATION

