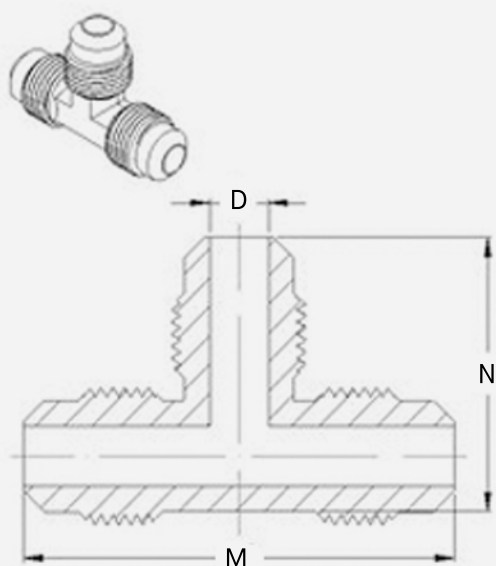


Brass Flare Tee

FEATURES

- Fully Compliant made with RoHS compliant, low lead JIS C3604 brass for safe and effective use on commercial and residential jobs.



SKU	Tube OD	D	M	N
FLT025	1/4"	.187"	1.73"	1.05"
FLT038	3/8"	.276"	2.01"	1.24"
FLT050	1/2"	.406"	2.30"	1.50"