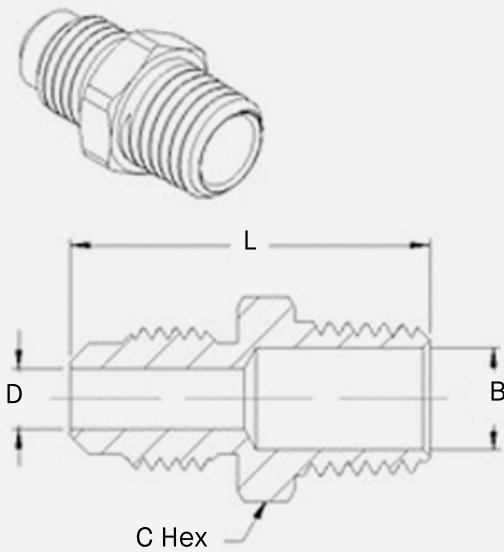


# Flare x MIP Brass Half Union

## FEATURES

- Fully Compliant made with RoHS compliant, low lead JIS C3604 brass for safe and effective use on commercial and residential jobs.



SKU	Tube OD	Male Pipe Thread	C Hex	D	B	L
FLHU025	1/4"	1/4"	.561"	.185"	.315"	1.102"
FLHU025-050	1/4"	1/2"	.874"	.185"	.591"	1.319"
FLHU038	3/8"	3/8"	.689"	.276"	.540"	1.417"
FLHU038-025	3/8"	1/4"	.626"	.280"	.315"	1.299"
FLHU038-050	3/8"	1/2"	.874"	.281"	.559"	1.488"
FLHU038-075	3/8"	3/4"	1.063"	.276"	.748"	1.551"
FLHU050	1/2"	1/2"	.846"	.406"	.563"	1.520"
FLHU050-038	1/2"	3/8"	.748"	.406"	.406"	1.496"
FLHU050-075	1/2"	3/4"	1.063"	.406"	.748"	1.819"
FLHU058-050	5/8"	1/2"	.874"	.500"	.500"	1.783"
FLHU058-075	5/8"	3/4"	1.063"	.496"	.748"	1.811"
FLHU075	3/4"	3/4"	1.063"	.630"	.787"	1.969"