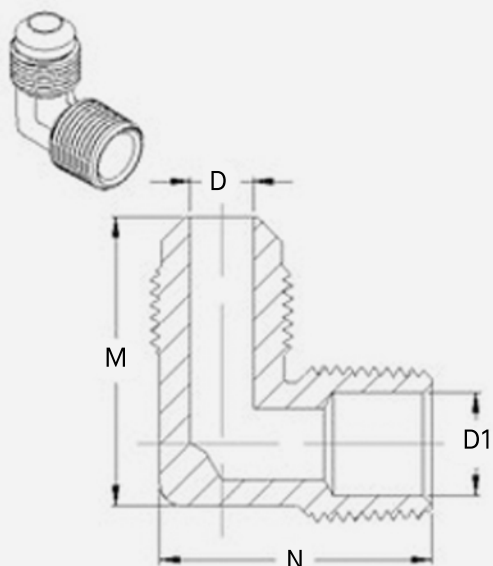


Flare x MIP Elbow



FEATURES

- Fully Compliant made with RoHS compliant, low lead JIS C3604 brass for safe and effective use on commercial and residential jobs.



SKU	Tube OD	Male Pipe Thread	D	D1	M	N
FLEM038	3/8"	3/8"	.276"	.315"	1.27"	1.19"
FLEM038-025	3/8"	1/4"	.276"	.335"	1.26"	1.14"
FLEM038-050	3/8"	1/2"	.276"	.413"	1.44"	1.34"
FLEM050	1/2"	1/2"	.402"	.394"	1.47"	1.50"
FLEM058-050	5/8"	1/2"	.496"	.504"	1.75"	1.59"