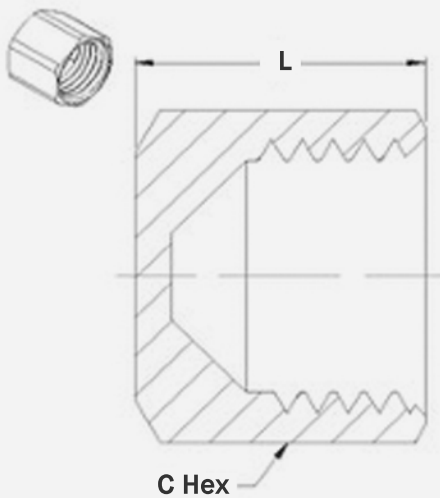


# Brass Flare Cap

## FEATURES

- **RoHs Compliant** – made with low lead JIS C3604 brass for safe and effective use on commercial and residential jobs.



SKU	Tube OD	C Hex	L
FLCP025	1/4"	0.500"	0.472"
FLCP038	3/8"	0.689"	0.591"
FLCP050	1/2"	0.846"	0.681"
FLCP058	5/8"	0.937"	0.807"