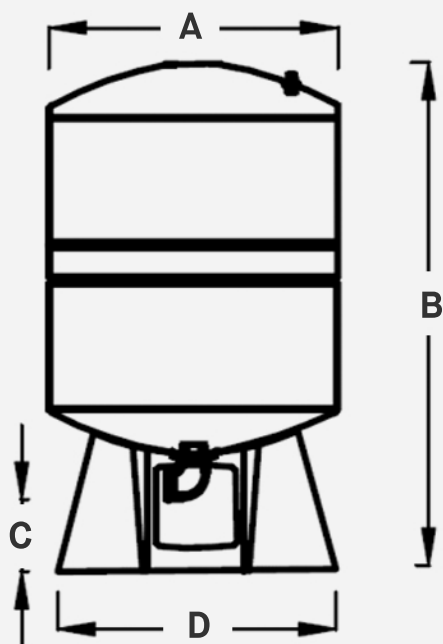


44 Gallon Well Expansion Tank (Stand)

FEATURES

- **Potable System Compatible** - Reliably controls pump cycling in residential, potable well water systems.



SKU	A	B	C	D
EXW44V	22.00"	36.00"	1-3/16"	19.00"

Capacity	44 Gal / 166 Lit
Shell	High Strength Steel
Diaphragm	Heavy Duty Butyl
Liner	Antimicrobial Polypropylene
Finish	Blue
Maximum Operating Temperature	200°F (93°C)
Maximum Working Pressure	150 PSIG (10.3 bar)
Precharge Pressure	38 PSI
System Connection	1" FNPT
Connector Material	SS 304
Stand	ABS