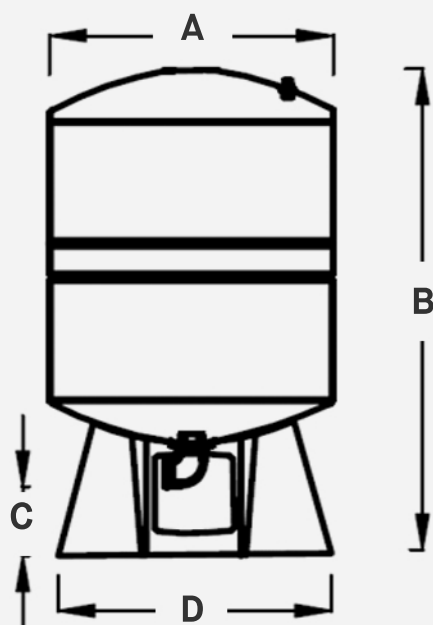


14 Gallon Vertical Expansion Tank

FEATURES

- **More Absorbent** – Suitable for use in large residential and light commercial, closed, non-potable, hydronic heating systems with in propylene glycol mixtures up to 50%.



SKU	A	B	C	D
EXH14V	15.00"	25.00"	1-9/16"	14.00"

Capacity	14 Gal / 53 Lit
Shell	Steel
Diaphragm	Heavy Duty Butyl
Liner	Polypropylene
Finish	Grey
Maximum Operating Temperature	200°F (93°C)
Maximum Working Pressure	100 PSIG (6.9 bar)
Precharge Pressure	12 PSI
System Connection	1" FNPT
Connector Material	Steel
Stand	ABS