

Expansion Tank - 4.5 Gallons

Model: EX4

APPLICATION

- **4.5 Gallon Capacity** – Ideal for closed, potable water systems
- **Factory Pre-Charged** – Comes charged at 25 psi to control pressure build up and prevent backflow
- **Increased Longevity** - Extends the life of water systems by protecting pumps and pipes from bursting

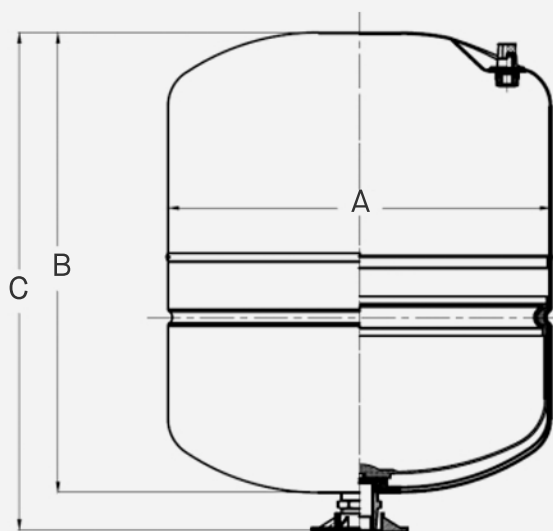


Construction & Performance

Capacity	4.5 Gallon
Shell	Steel
Diaphragm	Heavy Duty Butyl
Liner	Polypropylene
Finish	White
Maximum Operating Temperature	200 F (93 C)
Maximum Working Pressure	150 PSIG (10.3 bar)
Precharge Pressure	25 PSI
System Connection	3/4" NPT
Connector Material	SS 304
Warranty	1 Year

Dimensions

A	11"
B	13.54"
C	14.65"



Plastic Cover 3/4" NPT