



EX2-2 SPECIFICATION

Feature

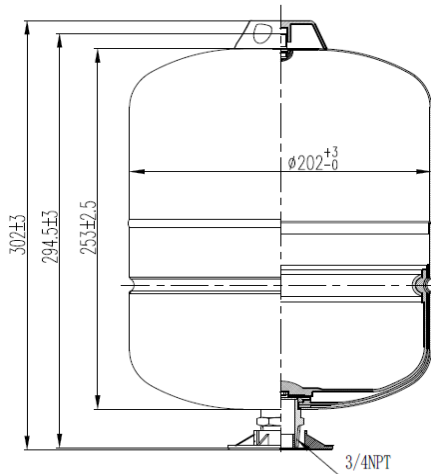
Sku:
EX2-2

Description:
Expansion Tank (2 Gallon)

Application:
For use in closed, potable water systems to control pressure build-up.



Drawing



Construction & Performance

Capacity in gallons	2 Gallon
Shell	Steel
Diaphragm	Heavy Duty Butyl
Liner	Polypropylene
Finish	White
Maximum Operating Temperature	200°F (93°C)
Maximum Working Pressure	150 PSIG (10.3 bar)
Precharge pressure	25 PSI
System Connection	3/4 in. NPT
Connector Material	SS 304
Warranty	1 Year
Unit Weight	2.15 kgs(4.74 lbs)

Note: Dimensions indicated in drawing are in mm.