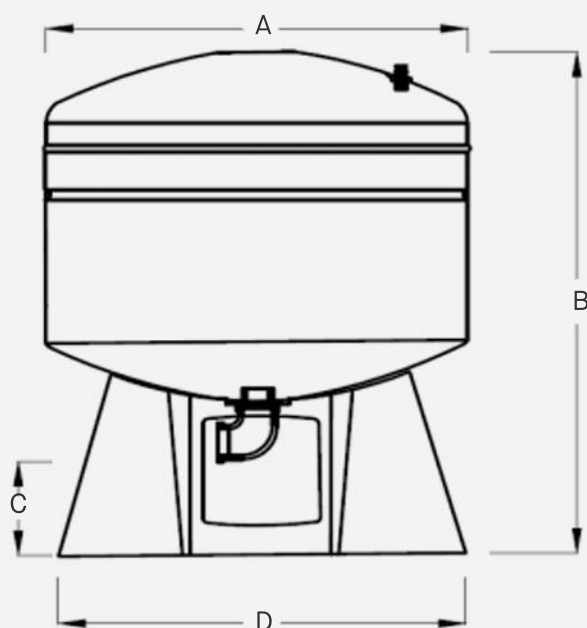


Vertical Expansion Tank - 10.3 Gallons

Model: EX10V

APPLICATION

- **10.3 Gallon Capacity** – Ideal for large residential and light commercial applications
- **Factory Pre-Charged** – Comes charged at 40 psi to control pressure build up and prevent backflow
- **Increased Longevity** - Extends the life of water systems by protecting pumps and pipes from bursting



Construction & Performance

Capacity	10.3 Gallon
Shell	Steel
Diaphragm	Heavy Duty Butyl
Liner	Antimicrobial Polypropylene
Finish	White
Maximum Operating Temperature	200 F (93 C)
Maximum Working Pressure	150 PSIG (10.3 bar)
Precharge Pressure	40 PSI
System Connection	3/4" NPT
Connector Material	SS 304

Dimensions

A	15"
B	20"
C	1-9/16"
D	14"