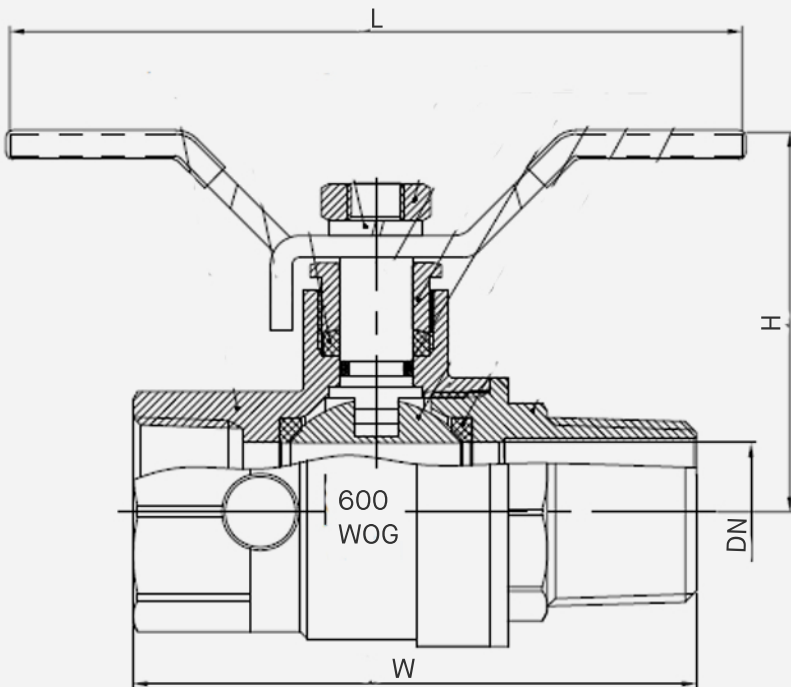


# 1/2" Expansion Tank Isolator w/ Waste

(Male x Female)

## FEATURES

- This product isolates pressure, allowing the tank to be removed safely while preventing hazardous water spray and eliminating the need to drain the system



SKU	DN	W	L	H
ETI050	.59"	2.5"	3.38"	1.81"