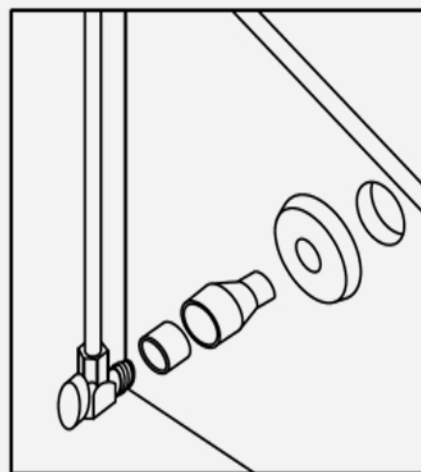
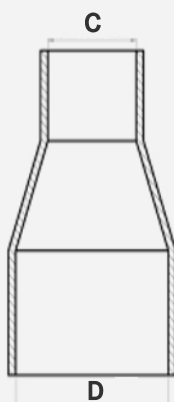
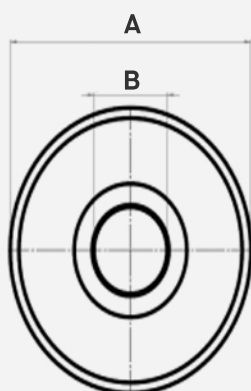


1/2" Cold Expansion PEX Escutcheon

(1 1/16 OD)

FEATURES

- Non-corrosive
- Non-breakable
- 100% rustproof
- ABS construction
- Flared pex escutcheon allows expansions with the sleeve in place
- Entirely conceals the pex connection, offering a clean, finished look
- Chrome plated and white finishes available



SKU	Description	Finish	A	B	C	D
ESPC050	1/2" Cold Expansion PEX Escutcheon, CP	Chrome	2.49"	0.76"	0.64"	1.10"
ESPW050	1/2" Cold Expansion PEX Escutcheon, White	White	2.49"	0.76"	0.64"	1.10"