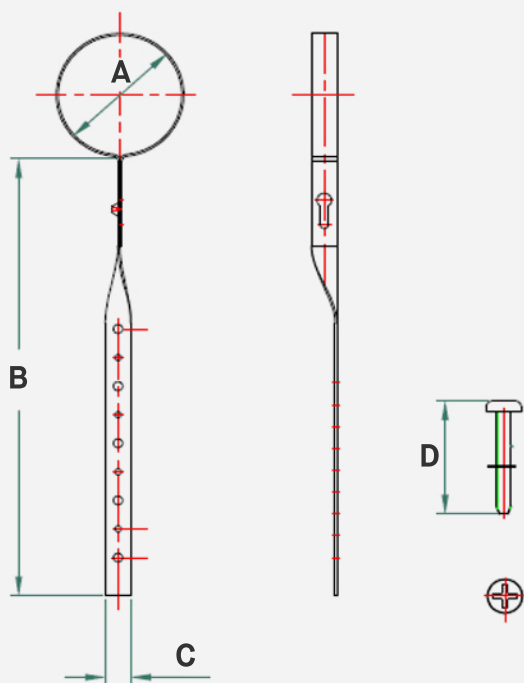


DWV Hanger

(Plastic Coated)

FEATURES

- **Pre-Galvanized Carbon Steel Construction** – provides excellent strength and corrosion resistance.
- **Plastic Coating Finish** – Keeps the steel insulated.
- **Applications** - Designed for the support of PVC or ABS DWV pipe from wood joists. Evenly spaced holes allow for proper pipe pitch.



SKU	Size	A	B	C	D
DWVH150	1-1/2"	1.91"	12.60"	0.71"	1.50"
DWVH200	2"	2.38"	12.60"	0.71"	1.50"
DWVH300	3"	3.52"	12.60"	0.71"	1.50"
DWVH400	4"	4.52"	12.60"	0.71"	1.50"