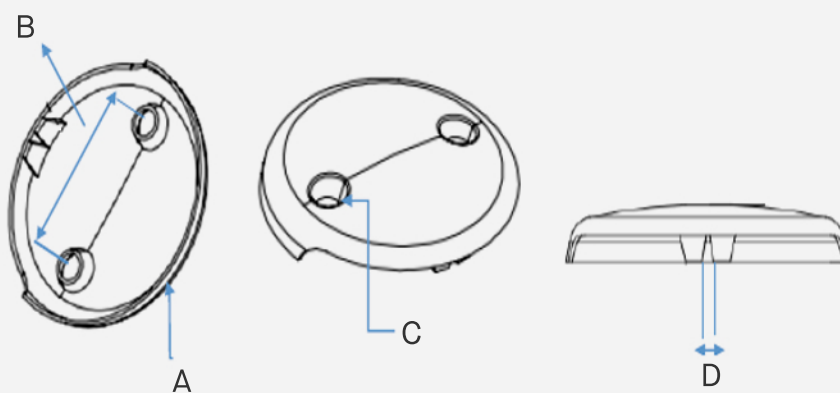


Two-Hole Overflow Plate w/ Screws

FEATURES

- **Chrome-Plated Zinc Construction** – Makes the trip lever more durable and more attractive.
- **Sturdy** – 2” screws keep the trip lever firmly in place.
- **Fully-Compliant** – UPC listed for safe and effective use in residential and commercial jobs.



SKU	A	B	C	D
DRO-2	3.20"	1.93"	0.49"	0.13"