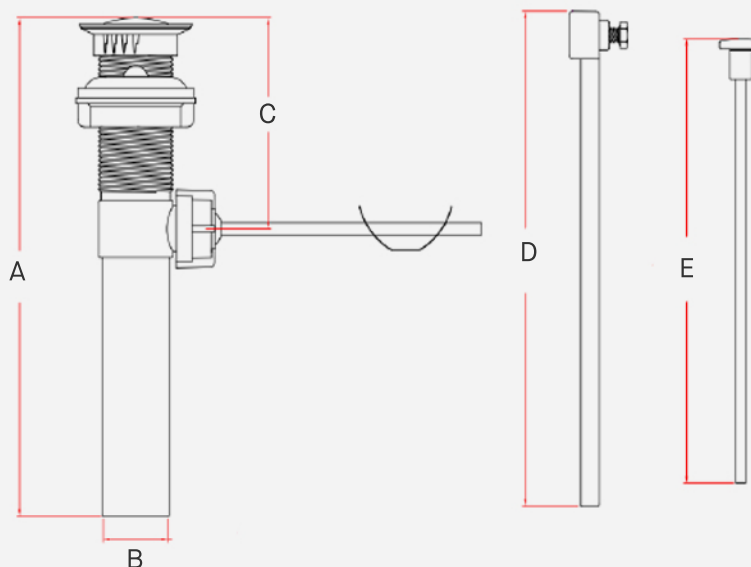


Chrome Plated ABS Pop-Up Assembly

FEATURES

- **Fully Compliant** - Complies with ASME A112.18.1-2018/ CSA B125.1-18 standards for use in both the United States and Canada.
- **Lead Free** – Meets cUPC standards for safe use in commercial and residential lead-free drinking water systems.
- **Chrome-Plated Plastic** - Makes the assembly more attractive



SKU	A	B	C	D	E
DR3-A	8-3/8"	1-1/4"	3-5/8"	8-1/2"	7-5/8"