

# 60" Braided Stainless Steel Dishwasher Connector w/ 2 MIP Elbows

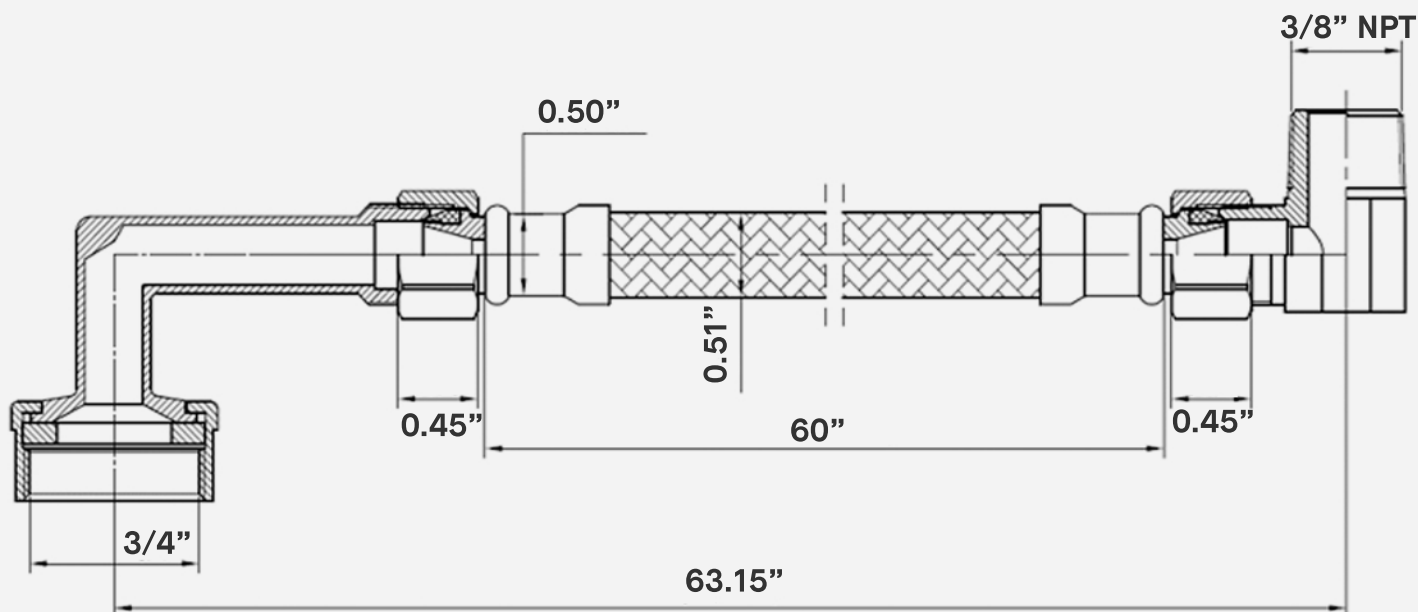
(3/8" x 3/8" Compression Thread)

## FEATURES

- **Fully Compliant** – Meets cUPC, ASME A112.18.6-2017, CSA B125.6-17, and NSF/ANSI 14-2010a specifications for flexible water connectors.
- **Lead Free** – Meets NSF/ANSI 61, and NSF372/ANSI 372 standards for use in commercial and residential lead-free drinking water systems.



SKU: DC60-2ME



Connection	3/8" Comp. w/ 3/4" MHT Elbow x 3/8" Comp. w/ 3/8" Elbow
Length	60"
3/8" MIP Elbow	Brass
3/4" FHT Elbow	Brass nut, no lead brass core
Compression Nut	Nickel Plated Brass
Sleeve	SS 304
Core	Two-layer NSF approved PVC
Outer	SS 304 Braided
Gasket	EPDM
Insert	Low lead brass
Maximum Working Pressure	125 PSI
Working Temperature	40°F - 150°F, Intermittent to 180°F