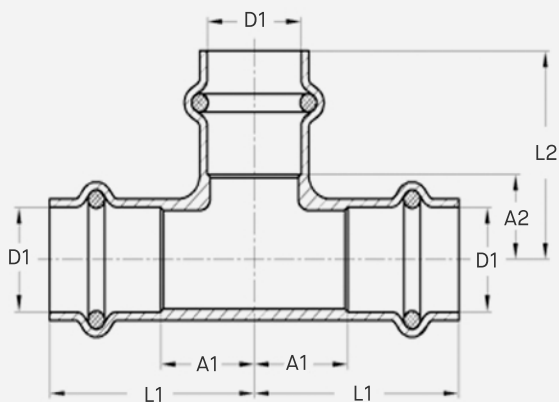


Press Copper Tee

FEATURES

- **Press Connection:** Ensures a secure connection without welding, brazing, or soldering.
- **Durable Copper Construction:** Provides outstanding corrosion resistance and dependable strength.
- **Versatile Plumbing Part:** Ideal for use in commercial and residential plumbing systems.



SKU	Size (D1)	L1	A1	L2	A2
CPT050	1/2"	1.54"	0.75"	1.28"	0.47"
CPT075	3/4"	1.77"	0.85"	1.57"	0.65"
CPT100	1"	1.91"	0.96"	1.73"	0.79"
CPT125	1-1/4"	2.13"	0.98"	1.95"	0.83"
CPT150	1-1/2"	2.62"	1.16"	2.74"	1.30"
CPT200	2"	2.97"	1.36"	3.13"	1.52"