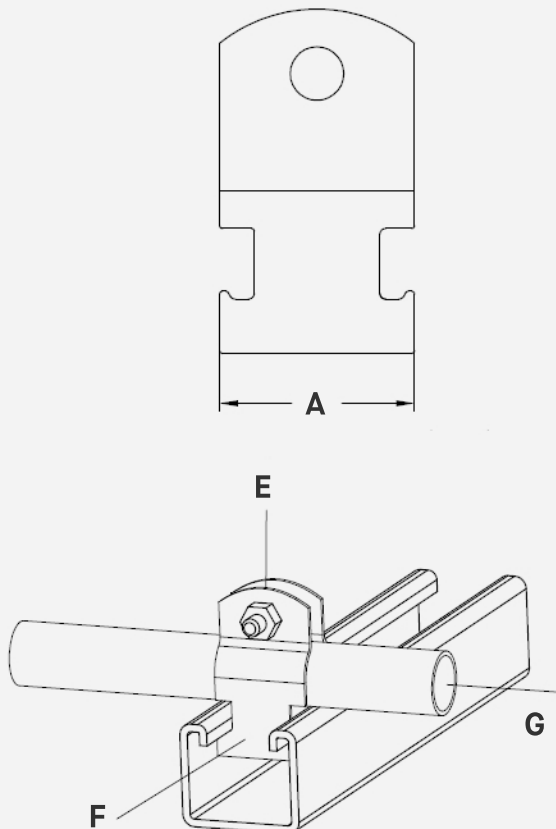


Copper Plated Multi-Strut Pipe Clamp

FEATURES

- **Galvanized Steel Construction** – provides excellent strength and durability.
- **Copper Epoxy Finish** – Adds reliable corrosion protection.



SKU	Size	A	E	F	G
			Max Rec. Load (lbs)	Max Rec. Load (lbs)	Max Rec. Load (lbs)
CPSC038	3/8"	1.25"	400	50	50
CPSC050	1/2"	1.25"	400	50	50
CPSC075	3/4"	1.25"	600	75	75
CPSC100	1"	1.25"	600	75	75
CPSC125	1-1/4"	1.25"	600	75	75
CPSC150	1-1/2"	1.25"	800	125	125
CPSC200	2"	1.25"	800	125	125
CPSC250	2-1/2"	1.25"	800	125	125
CPSC300	3"	1.25"	800	125	125
CPSC350	3-1/2"	1.25"	1000	200	150
CPSC400	4"	1.25"	1000	200	150