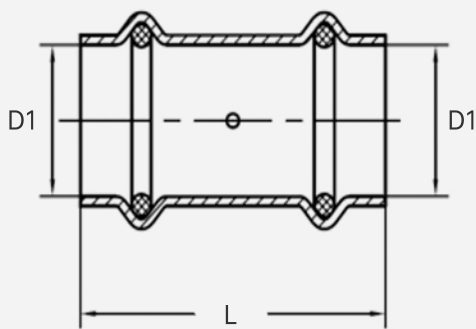


Press Copper Coupling

FEATURES

- **Press Connection:** Ensures a secure connection without welding, brazing, or soldering.
- **Durable Copper Construction:** Provides outstanding corrosion resistance and dependable strength.
- **Versatile Plumbing Part:** Ideal for use in commercial and residential plumbing systems.



SKU	Size (D1)	L
CPCL050	1/2"	1.61"
CPCL075	3/4"	2.05"
CPCL100	1"	2.05"
CPCL125	1-1/4"	2.44"
CPCL150	1-1/2"	3.03"
CPCL200	2"	3.35"