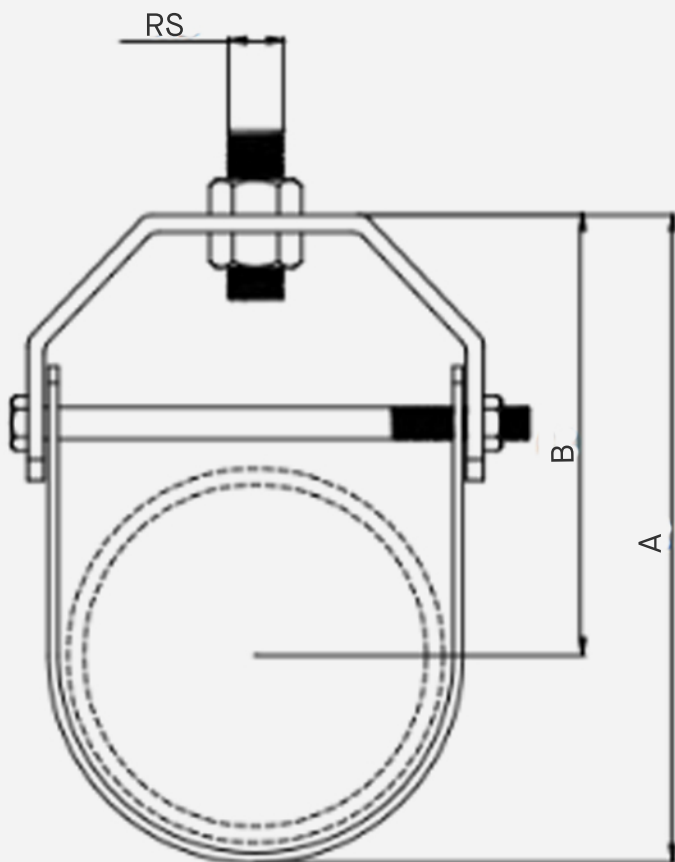


# Copper Epoxy Coated Clevis Hanger

Carbon Steel

## FEATURES

- **Carbon Steel Construction** – For exceptional strength and durability.
- **Epoxy Coated** – Adds a layer of protection against chemical and salt corrosion.



SKU	A	B	Rod Size	Max Rec. Load (LBS)
CPCH050	1.83"	1.41"	3/8"	150
CPCH075	2.08"	1.53"	3/8"	250