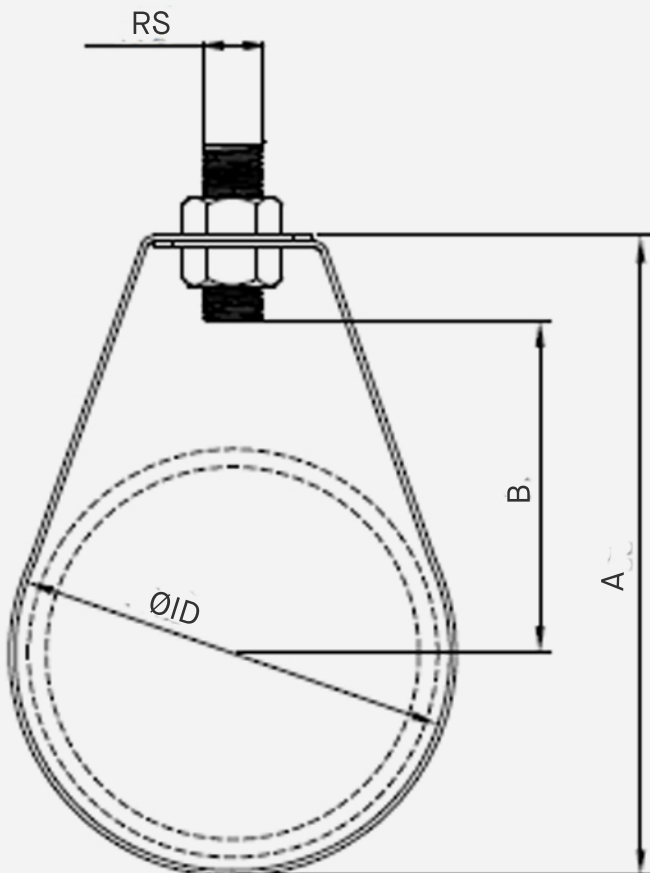


Copper Epoxy Coated Band Hanger

Carbon Steel

FEATURES

- **Carbon Steel Construction** – For exceptional strength and durability.
- **Epoxy Coated** – Adds a layer of protection against chemical and salt corrosion.



SKU	A	B	Rod Size (RS)	Max Load (lbs)	O.D	I.D
CPBH100	2.57"	1.44"	3/8"	300	1.125"	1.29"
CPBH125	2.67"	1.64"	3/8"	300	1.375"	1.56"
CPBH150	3.14"	2"	3/8"	300	1.625"	1.81"
CPBH200	3.38"	2.12"	3/8"	300	2.125"	2.32"
CPBH300	5.01"	2.74"	1/2"	1000	3.125"	3.33"