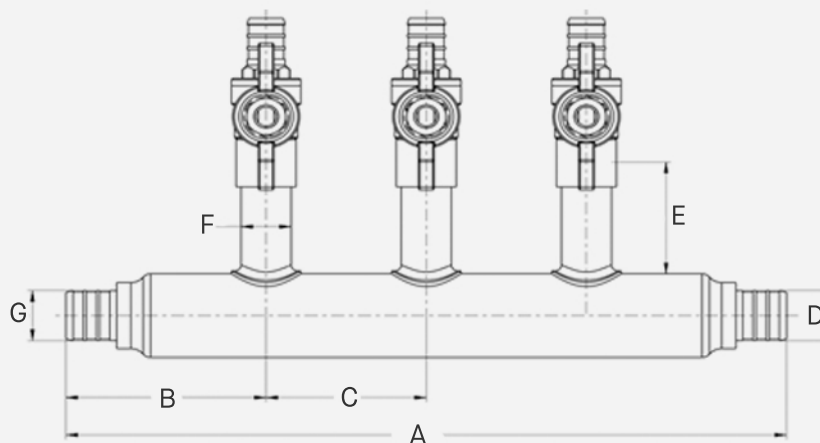


Copper Crimp Valved Manifold

3/4" PEX Crimp w/ 1/2" PEX Crimp Ball Valves
(Lead Free)

FEATURES

- **Rated for Durability** - Able to withstand a maximum operating temperature of 180°F at 125 PSI
- **Safe for Drinking Water** - Meets ASTM F877 and F-1807 standards for use in hot- and cold drinking water distribution systems
- **Lead Free** - Listed by NSF Standards 14, 61, and 372
- **Fully Compliant** - Complies with B137.5 CSA Standard for safe and effective use in commercial and residential jobs



SKU	Branch	A	B	C/Revise	D	E	F	G
CM4-75PXA-PXV	4	11"	2.5"	2"/3	3/4" PEX	1.5"	0.622"-0.626"	3/4" PEX
CM5-75PXA-PXV	5	13"	2.5"	2"/4	3/4" PEX	1.5"	0.622"-0.626"	3/4" PEX
CM6-75PXA-PXV	6	15"	2.5"	2"/5	3/4" PEX	1.5"	0.622"-0.626"	3/4" PEX