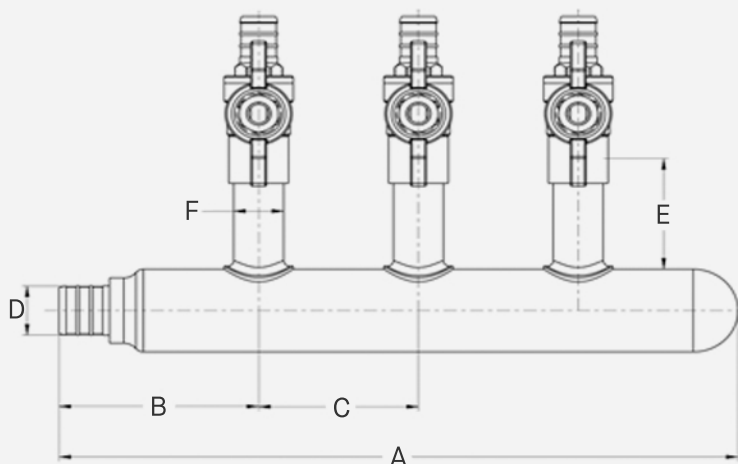


Copper Crimp Valved Manifold

3/4" PEX Crimp x Closed w/ 1/2" PEX Crimp Ball Valves
(Lead Free)

FEATURES

- **Rated for Durability** - Able to withstand a maximum operating temperature of 180°F at 125 PSI
- **Safe for Drinking Water** - Meets ASTM F877 and F-1807 standards for use in hot- and cold drinking water distribution systems
- **Lead Free** - Listed by NSF Standards 14, 61, and 372
- **Fully Compliant** - Complies with B137.5 CSA Standard for safe and effective use in commercial and residential jobs



SKU	Branch	A	B	C/Revise	D	E	F
CM4-75PXZ-PXV	4	10.5"	2.5"	2"/3	3/4" PEX	1.5"	0.622"-0.626"
CM5-75PXZ-PXV	5	12.5"	2.5"	2"/4	3/4" PEX	1.5"	0.622"-0.626"
CM6-75PXZ-PXV	6	14.5"	2.5"	2"/5	3/4" PEX	1.5"	0.622"-0.626"