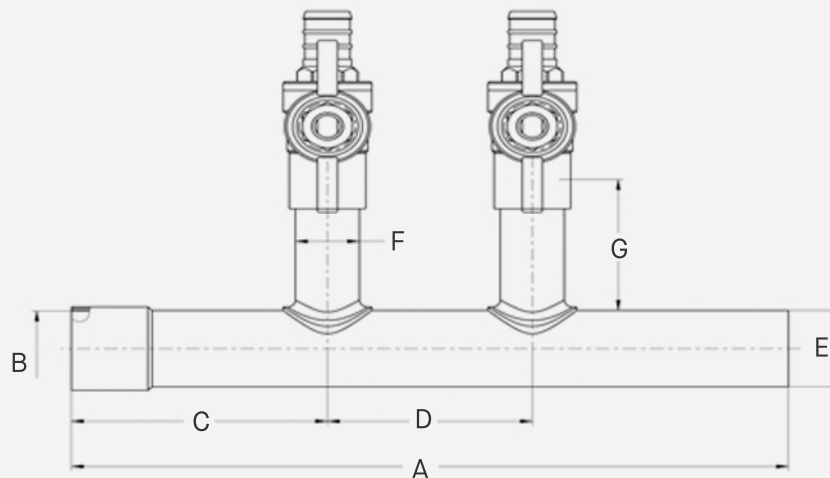


Copper Crimp Valved Manifold

3/4" Male Sweat x Female Sweat w/ Extended Trunk,
1/2" PEX Crimp Ball Valves (Lead Free)

FEATURES

- **Rated for Durability** - Able to withstand a maximum operating temperature of 180°F at 125 PSI
- **Safe for Drinking Water** - Meets ASTM F877 and F-1807 standards for use in hot- and cold drinking water distribution systems
- **Lead Free** - Listed by NSF Standards 14, 61, and 372
- **Fully Compliant** - Complies with B137.5 CSA Standard for safe and effective use in commercial and residential jobs



SKU	Branch	A	B	C	D/Revise	E	F	G
CM4-75SCAE-PXV	4	16"	0.877"-0.881"	5"	2"/3	0.872"-0.876"	0.622"-0.626"	1.5"