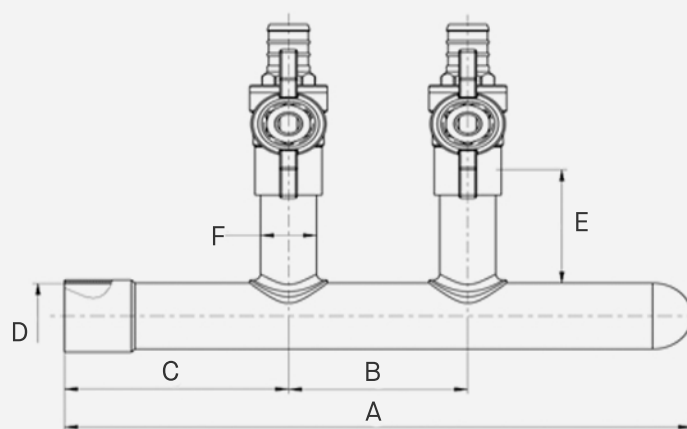


# Copper Crimp Valved Manifold

Female Sweat x Spin Closed (Right) w/ 1/2" PEX Crimp Ball Valves (Lead Free)

## FEATURES

- **Rated for Durability** - Able to withstand a maximum operating temperature of 180°F at 125 PSI
- **Lead Free** - Listed by NSF Standards 14, 61, and 372
- **Safe for Drinking Water** - Meets ASTM F877 and F-1807 standards for use in hot- and cold drinking water distribution systems
- **Fully Compliant** - Complies with B137.5 CSA Standard for safe and effective use in commercial and residential jobs



SKU	Branch	Manifold Body	A	B	C/Revise	D	E	F
CM8-100CZR-PXV	8	1.122"-1.127"	19"	3"	2"/7	1.128"-1.132"	1.5"	.622"-.626"
CM10-100CZR-PXV	10	1.122"-1.127"	23"	3"	2"/9	1.128"-1.132"	1.5"	.622"-.626"
CM12-100CZR-PXV	12	1.122"-1.127"	27"	3"	2"/11	1.128"-1.132"	1.5"	.622"-.626"