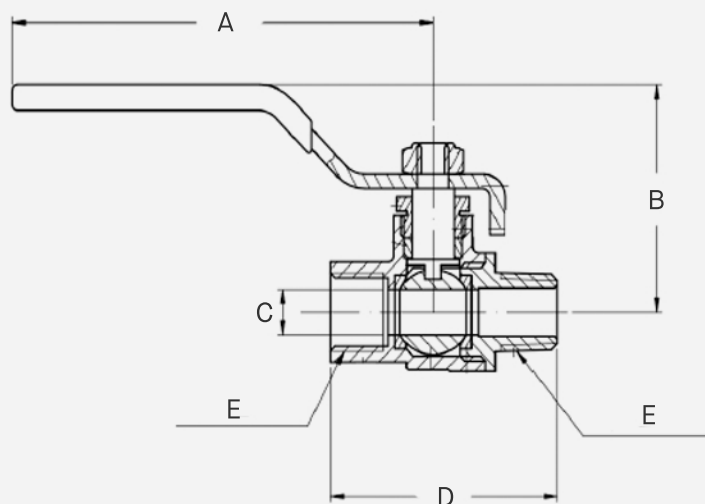


FIP x MIP Full Port Forged Brass Mini Ball Valve

FEATURES

- **Certified Lead-Free** - Made from lead-free C46500 brass alloy and compliant with NSF372 standards for safe use in drinking water systems
- **High Pressure Tolerance** - Able to withstand a maximum working pressure of 600 psi
- **High Heat Resistance** – Able to withstand a maximum temperature of 250°F
- **Fully Compliant** - Complies with ASME A112.18.1-2018/CSA B125.1-18 standards for use in both the United States and Canada



SKU	A	B	C	D	E
BVT018MF-NP	3.15"	1.57"	1/8"	1.59"	1/8 – 27 NPT
BVT025MF-NP	3.15"	1.57"	1/4"	1.69"	1/4 – 18 NPT