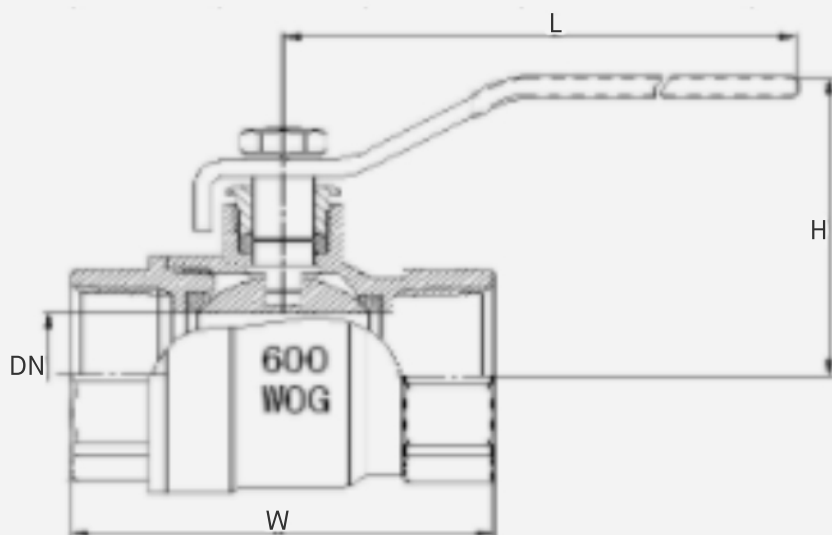


Full Port Threaded Mini Ball Valve

Non-Potable Female IPS

FEATURES

- Forged Brass Body – enhances the drain valve’s durability and longevity
- Rated for Durability - Has a water, oil, and gas rating of 600psi and a working steam pressure of 150psi
- Stainless Steel Ball Valve – for increased corrosion resistance
- Vinyl Grip – for comfortable, non-slip operation



PART NO.	SIZE	DN	L	H	W	Cv.	WT. (LBS)
BVT018-NP	1/8"	3.46	3.46	1.68	1.73	8.23	0.306
BVT050-NP	1/2"	0.524	3.46	1.73	1.89	14.56	0.337
BVT075-NP	3/4"	0.748	3.46	1.89	2.28	29.76	0.542
BVT100-NP	1"	0.984	4.29	2.14	2.80	51.55	0.928