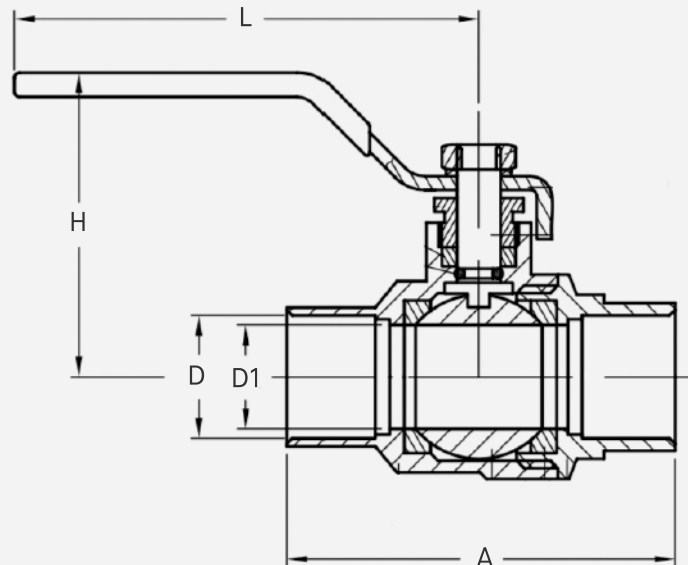


Sweat Full Port Forged Brass Ball Valve w/ Bleeder

Lead Free

FEATURES

- **Lead Free** – Made from lead free C46500 brass alloy for safe and effective use in commercial and residential jobs.
- **High Pressure Tolerance** - Able to withstand a maximum working pressure of 600 psi.
- **High Heat Resistance** – Able to withstand a maximum temperature of 250°F.
- **Fully Compliant** - Complies with ASME A112.18.1-2018/CSA B125.1-18 standards for use in both the United States and Canada



SKU	D	D1	A	H	L
BVSD050	0.63"	0.55"	2.28"	1.85"	3.39"
BVSD075	0.89"	0.75"	2.80"	2.09"	4.72"