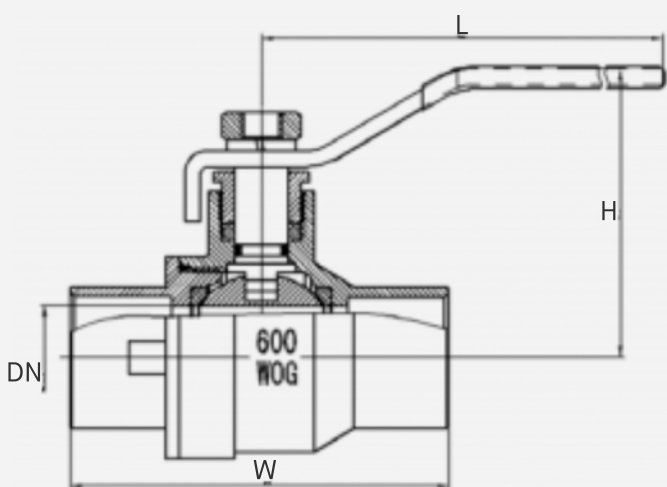


Full Port Sweat Ball Valve

Lead Free Solder Ends

FEATURES

- Blow-Out Proof Stem Design – ensures a safe, reliable seal
- Rated for Durability - Has a water, oil, and gas rating of 600psi and a working steam pressure of 150ps
- Stainless Steel Ball Valve – for increased corrosion resistance
- Vinyl Grip – for comfortable, non-slip operation



PART NO.	SIZE	DN	L	H	W	Cv.	WT. (LBS)
BVS050	1/2"	0.591	3.46	1.81	2.17	18.55	0.403
BVS075	3/4"	0.748	4.29	2.09	2.81	29.76	0.670
BVS100	1"	0.984	4.29	2.25	3.34	51.55	1.034
BVS125	1-1/4"	1.259	5.63	2.52	3.91	84.42	1.585
BVS150	1-1/2"	1.574	5.63	2.74	4.46	131.93	2.280
BVS200	2"	1.941	5.63	3.03	5.45	200.35	3.481
BVS250	2- 1/2"	2.520	7.76	4.25	6.42	338.43	6.715
BVS300	3"	2.893	8.19	4.58	7.15	445.44	8.655
BVS400	4"	3.839	9.25	5.49	9.57	783.88	17.419