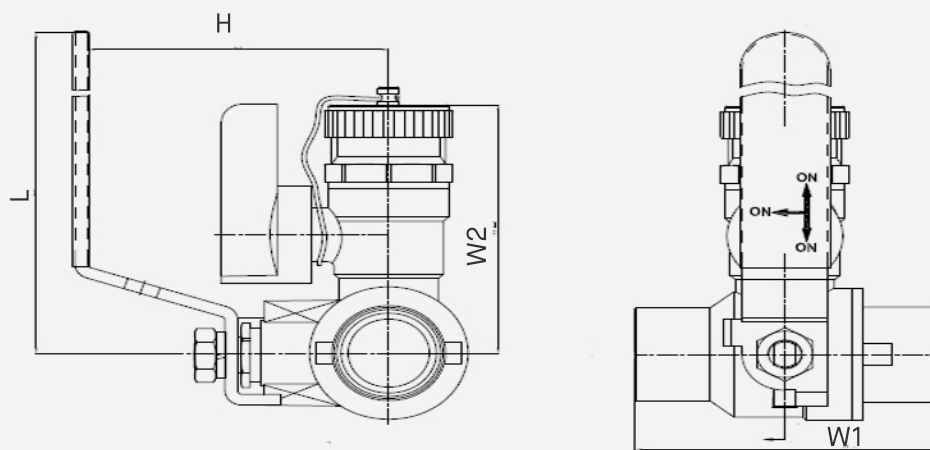


# Sweat Ball Valve w/ Hose Drain

Lead Free

## FEATURES

- **Lead Free** – Ensures safe and effective use in drinking water systems
- **Certifications: UPC/NSF61/NSF 372** – For safety and compliance in commercial and residential jobs
- **Sweat Connection** – For a fast, secure installation
- **Includes Hose Drain** – For convenient system maintenance and draining
- **Brass Construction** – Provides excellent corrosion resistance and durability
- **Full Port** - for minimum flow restriction and maximum efficiency.



SKU	H	W1	W2	L
BVS050HD	2.71"	2.32"	2.72"	3.34"
BVS075HD	2.88"	2.79"	2.72"	4.84"
BVS100HD	3.03"	3.31"	2.74"	4.84"
BVS125HD	3"	3.89"	3"	5.11"