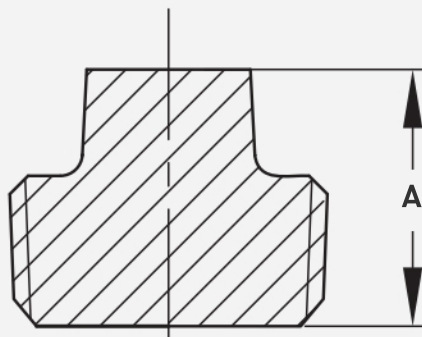


Black Plug

FEATURES

- **Malleable Iron Construction** – The ASTM A197/A197M compliant malleable iron makes the product strong yet easy to work with.
- **Widely Compatible** – Meets B16.39 and ASME B1.20.1 regulations for malleable male iron pipe thread.



SKU	Size	A
BLP018	1/8"	0.61"
BLP025	1/4"	0.72"
BLP038	3/8"	0.79"
BLP050	1/2"	0.94"
BLP075	3/4"	1.07"
BLP100	1"	1.25"
BLP125	1-1/4"	1.36"
BLP150	1-1/2"	1.45"
BLP200	2"	1.56"
BLP250	2-1/2"	1.81"
BLP300	3"	1.93"
BLP400	4"	2.54"