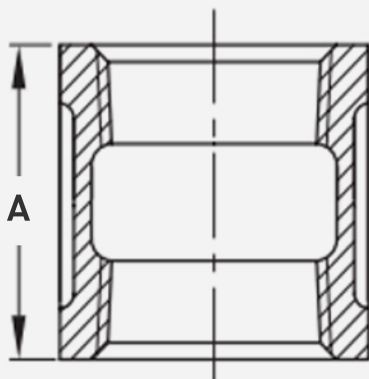


Black Coupling

FEATURES

- **Malleable Iron Construction** – makes the product strong yet easy to work with.
- **Connection Type** - Threaded
- **Thread Type** - Female



SKU	Size	A
BLC018C	1/8"	0.95"
BLC025C	1/4"	1.06"
BLC038C	3/8"	1.16"
BLC050C	1/2"	1.34"
BLC075C	3/4"	1.52"
BLC100C	1"	1.67"
BLC125C	1-1/4"	1.93"
BLC150C	1-1/2"	2.15"
BLC200C	2"	2.53"
BLC250C	2-1/2"	2.88"
BLC300C	3"	3.18"