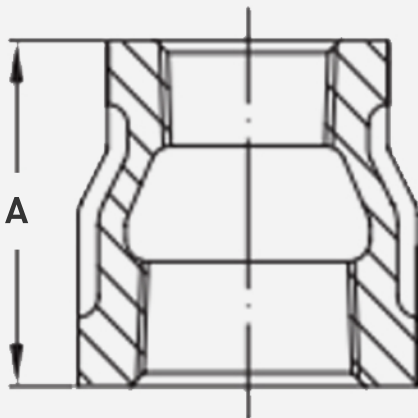


Black Reducing Coupling

FEATURES

- **Malleable Iron Construction** – makes the product strong yet easy to work with.
- **Connection Type** - Threaded
- **Threaded Type** - Female



SKU	Size	A
BLC025-018C	1/4" x 1/8"	1.00"
BLC038-025C	3/8" x 1/4"	1.13"
BLC050-018C	1/2" x 1/8"	1.25"
BLC050-025C	1/2" x 1/4"	1.25"
BLC050-038C	1/2" x 3/8"	1.25"
BLC075-038C	3/4" x 3/8"	1.44"
BLC075-050C	3/4" x 1/2"	1.44"
BLC100-025C	1" x 1/4"	1.68"
BLC100-038C	1" x 3/8"	1.68"
BLC100-050C	1" x 1/2"	1.68"
BLC100-075C	1" x 3/4"	1.68"
BLC125-050C	1-1/4" x 1/2"	2.06"
BLC125-075C	1-1/4" x 3/4"	2.06"
BLC125-100C	1-1/4" x 1"	2.06"
BLC150-075C	1-1/2" x 3/4"	2.31"
BLC150-100C	1-1/2" x 1"	2.31"
BLC150-125C	1-1/2" x 1-1/4"	2.31"
BLC200-075C	2" x 3/4"	2.81"
BLC200-100C	2" x 1"	2.81"
BLC200-125C	2" x 1-1/4"	2.81"
BLC200-150C	2" x 1-1/2"	2.81"
BLC250-075C	2-1/2" x 3/4"	3.25"
BLC250-125C	2-1/2" x 1-1/4"	3.25"
BLC250-150C	2-1/2" x 1-1/2"	3.25"
BLC250-200C	2-1/2" x 2"	3.25"
BLC300-075C	3" x 3/4"	3.69"
BLC300-100C	3" x 1"	3.69"
BLC300-125C	3" x 1-1/4"	3.69"
BLC300-150C	3" x 1-1/2"	3.69"
BLC300-200C	3" x 2"	3.69"
BLC300-250C	3" x 2-1/2"	3.69"