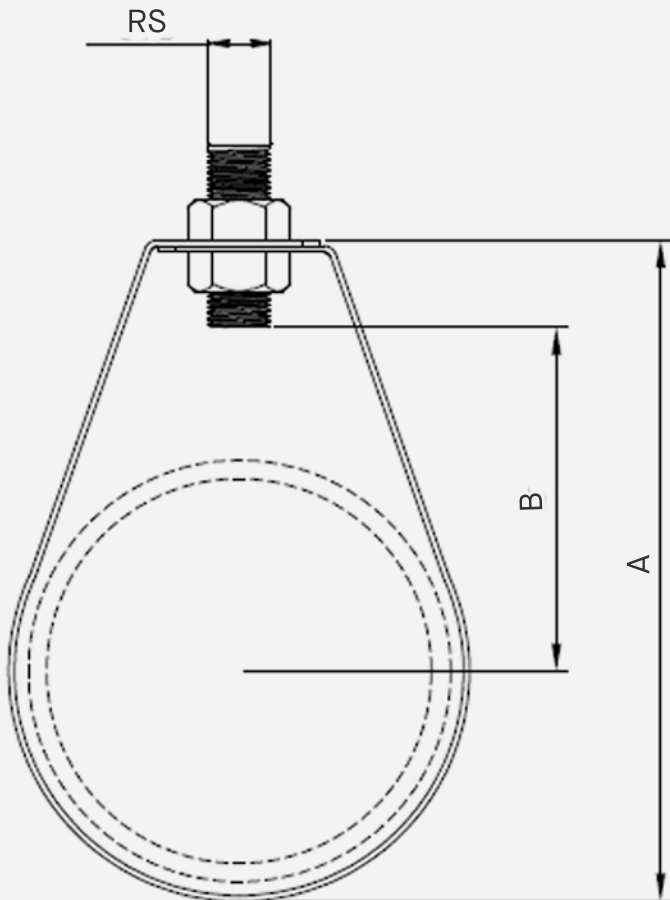


Black Carbon Steel Band Hanger

Carbon Steel

FEATURES

- **Carbon Steel material**- makes the strap exceptionally durable
- **Plain finish**- for use in a wide range of applications



SKU	A	B	Rod Size (RS)	Max Load (lbs.)	O. D
BLBH100	2.73"	1.37"	3/8"	300	1.315"
BLBH200	3.66"	2.18"	3/8"	300	2.375"
BLBH300	5.80"	3"	1/2"	1000	3.5"
BLBH400	7.10"	3.74"	1/2"	1100	4.5"