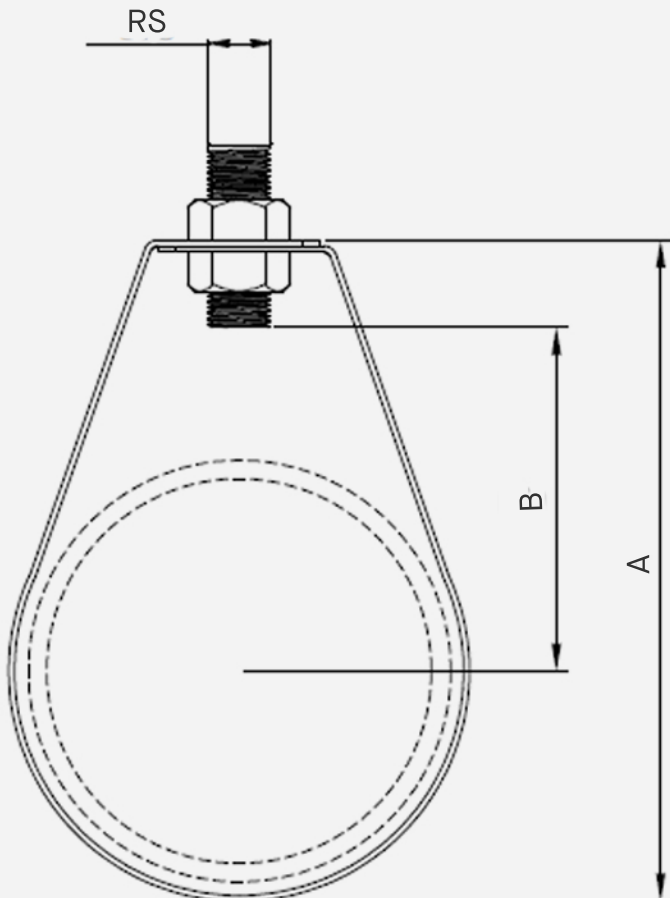


Black Carbon Steel Band Hanger

Carbon Steel

FEATURES

- **Carbon Steel material**- makes the strap exceptionally durable
- **Plain finish**- for use in a wide range of applications



SKU	Size	A	B	Rod Size (RS)	Max Load (lbs.)
BLBH100	1"	2.73"	1.37"	3/8"	300
BLBH125	1-1/4"	3.07"	1.62"	3/8"	300
BLBH150	1-1/2"	3.26"	1.75"	3/8"	300
BLBH200	2"	3.66"	2.18"	3/8"	300
BLBH250	2-1/2"	4.98"	2.62"	1/2"	1000
BLBH300	3"	5.80"	3"	1/2"	1000
BLBH400	4"	7.10"	3.74"	1/2"	1100