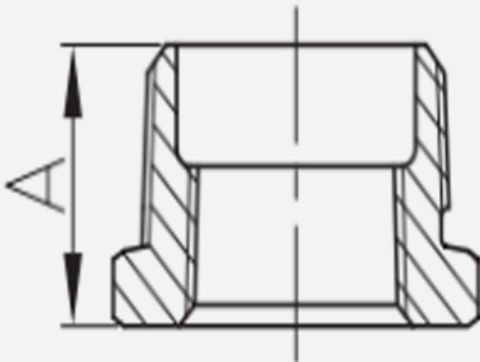


Black Bushing

FEATURES

- **Malleable Iron Construction** – The ASTM A197/A197M compliant malleable iron makes the product strong yet easy to work with
- **Widely Compatible** – Meets B16.39 and ASME B1.20.1 regulations for malleable iron pipe thread.



SKU	Size	A
BLB025-018C	1/4" x 1/8"	0.58"
BLB038-018C	3/8" x 1/8"	0.64"
BLB038-025C	3/8" x 1/4"	0.64"
BLB050-018C	1/2" x 1/8"	0.75"
BLB050-025C	1/2" x 1/4"	0.75"
BLB050-038C	1/2" x 3/8"	0.75"
BLB075-018C	3/4" x 1/8"	0.85"
BLB075-025C	3/4" x 1/4"	0.85"
BLB075-038C	3/4" x 3/8"	0.85"
BLB075-050C	3/4" x 1/2"	0.85"
BLB100-018C	1" x 1/8"	1.00"
BLB100-025C	1" x 1/4"	1.00"
BLB100-038C	1" x 3/8"	1.00"
BLB100-050C	1" x 1/2"	1.00"
BLB100-075C	1" x 3/4"	1.00"
BLB125-025C	1-1/4" x 1/4"	1.08"
BLB125-038C	1-1/4" x 3/8"	1.08"
BLB125-050C	1-1/4" x 1/2"	1.08"
BLB125-075C	1-1/4" x 3/4"	1.08"
BLB125-100C	1-1/4" x 1"	1.08"
BLB150-018C	1-1/2" x 1/8"	1.14"
BLB150-038C	1-1/2" x 3/8"	1.14"
BLB150-050C	1-1/2" x 1/2"	1.14"
BLB150-075C	1-1/2" x 3/4"	1.14"
BLB150-100C	1-1/2" x 1"	1.14"
BLB150-125C	1-1/2" x 1-1/4"	1.14"
BLB200-025C	2" x 1/4"	1.22"
BLB200-050C	2" x 1/2"	1.22"
BLB200-075C	2" x 3/4"	1.22"
BLB200-100C	2" x 1"	1.22"
BLB200-125C	2" x 1-1/4"	1.22"
BLB200-150C	2" x 1-1/2"	1.22"
BLB250-100C	2-1/2" x 1"	1.51"
BLB250-125C	2-1/2" x 1-1/4"	1.51"
BLB250-150C	2-1/2" x 1-1/2"	1.51"
BLB250-200C	2-1/2" x 2"	1.51"
BLB300-150C	3" x 1-1/2"	1.61"
BLB300-200C	3" x 2"	1.61"
BLB300-250C	3" x 2-1/2"	1.61"