

### Multi Zone Heat Pump System

Location:	Approval:
Engineer:	Date:
Submitted to:	Construction:
Submitted by:	Unit #:
Reference:	Drawing #:



## 27,000 BTU R410A Plus Improved Efficiency Multi Zone Ductless Mini Split Air Conditioner and Heat Pump w/WIFI (Outdoor)

Model: BFMS27MZPL-020



### EFFICIENCY

Cooling		Heating	
SEER2	23.0	HSPF2.4	9.5
EER2	12.2	COP	3.6

### PERFORMANCE of Cooling

#### Cooling (Btu/hr)

Rated Capacity	26000
Min/Max Capacity	7200~32000
Moisture Removal(L/h)	2
Standard Operating Range(*F/*C)	-13~122/(-25~50)
Rated Cooling Conditions:	Indoor: 80°F DB/67°F WB Outdoor: 95°F DB/75°F WB

### PERFORMANCE of Heating

#### Heating (Btu/hr)

1. @ 47°F Rated	27000
1. @ 47°F Min/Max Capacity	8400~29200
2. @ 17°F Rated(H32)	18000
3. @ 5°F Rated: Capacity / COP(H42)	19000/2
3. @ 5°F Max: Capacity	19000
Standard Operating Range(*F/*C)	-13~75/(-25~24)
1. Conditions:	Indoor: 70°F DB/60°F WB Outdoor: 47°F DB/43°F WB
2. Conditions:	Indoor: 70°F DB/60°F WB Outdoor: 17°F DB/15°F WB
3. Conditions:	Indoor: 70°F DB/60°F WB Outdoor: 5°F DB/5°F WB

### OUTDOOR SPECIFICATION

Compressor Type	ROTARY	
Compressor Model	KTM240D46UKT2	
Refrigerant	R454B	
Refrigerant Oil Charge(mL)	620	
Refrigerant Oil	V74	
Outdoor Air Flow (Max) (CFM)	2131	
Outdoor Noise Level (dBA)	61	
Dimension (W×D×H)	inch	37.24 x 16.14 x 31.89
	mm	946×410×810
Package (W×D×H)	inch	42.91 x 19.68 x 34.84
	mm	1090×500×885
Net/Gross Weight	lbs	138.89/149.69
	kg	63.0/67.9

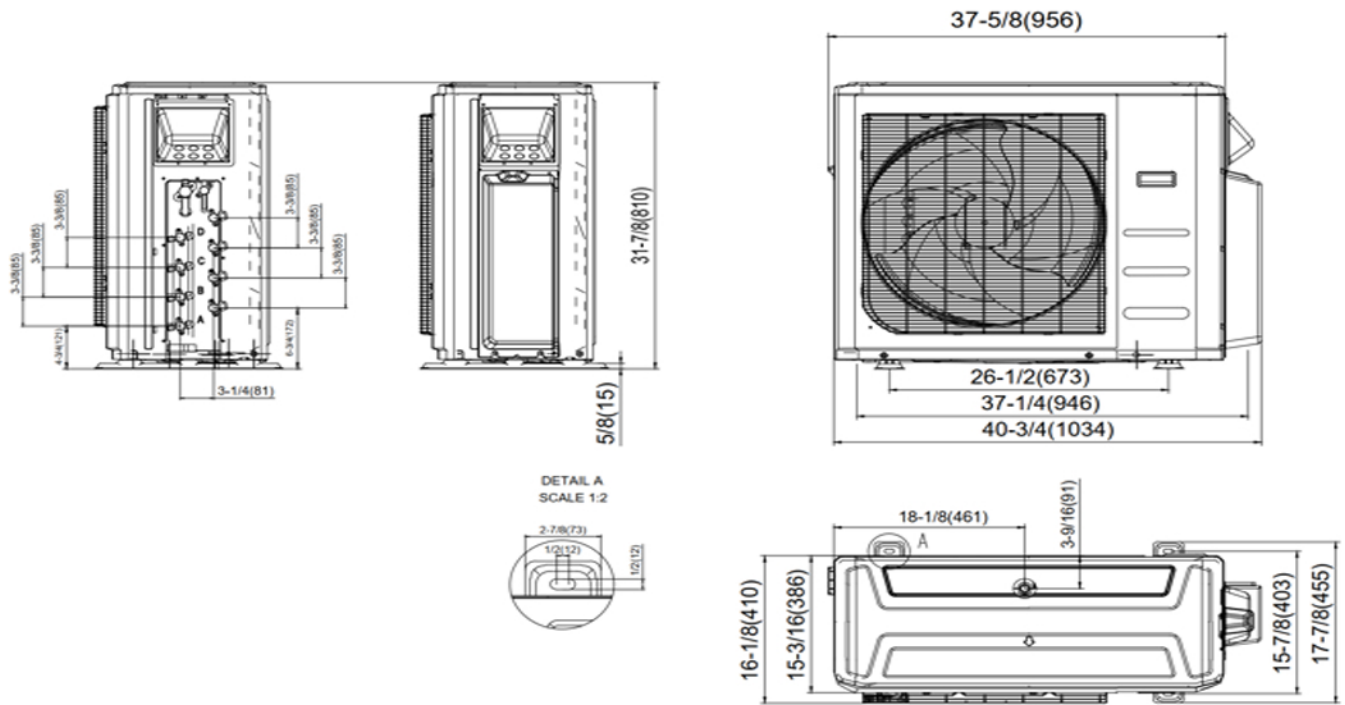
### ELECTRICAL

Power Supply	208/230V,60Hz,1Ph
System MCA	23
Connection Wiring	AWG 14-4
System MOCP	25
Compressor RLA	12.1
Outdoor Fan Motor RLA	1.2
Outdoor Fan Motor W	120
Indoor Fan Motor RLA	/
Indoor Fan Motor W	/
System Power Input @ Cooling (W)	2130/(500 ~ 2730)
System Power Input @ Heating (W)	2198/(500 ~2560)
MCA: Min. circuit amps (A)	MOCP: Max. over current protection (A)
RLA: Rated load amps (A)	W: Fan motor rated output (W)

### PIPING

Liquid Size	4x6.35mm(4x1/4in)
Gas Size	3x9.52mm+1x12.7mm(3x3/8in+1x1/2in)
Max. Piping Length for all rooms(ft/m)	262.4/(80)
Max. Piping Length for one IDU(ft/m)	114.8/(35)
Max. Height Difference of IDU and ODU(ft/m)	49.2/(15)
Refrigerant Pre-charge Amount(oz/kg)	84.66/(2.4)
Refrigerant Precharge Length(ft/m)	24.6(7.5)x4
Additional Charge of Refrigerant (Φ6.35 (1/4") liquid pipe) ((oz/ft)/(g/m))	0.16/(15)
Additional Charge of Refrigerant (Φ9.52 (3/8") liquid pipe) ((oz/ft)/(g/m))	0.32(30)
Connection Method	Flared

### Outdoor Unit Dimension



### Installation Instruction

