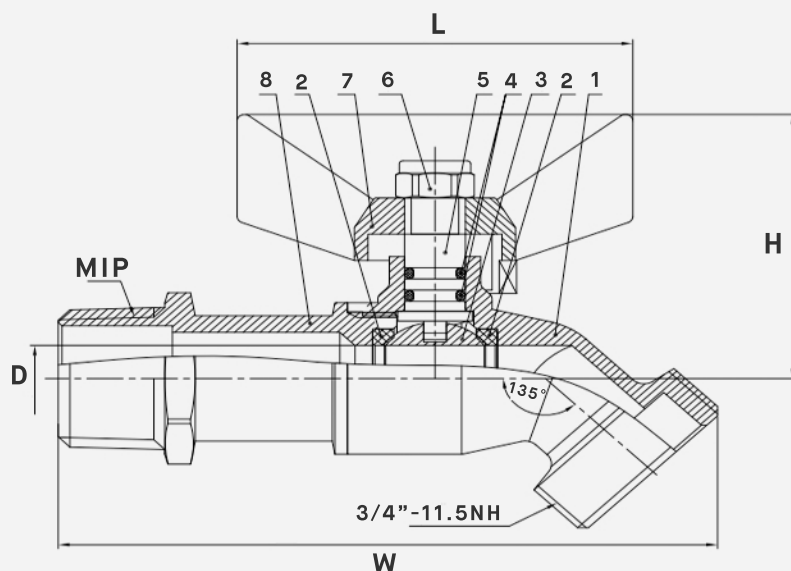


Chrome Plated Boiler Drain w/ T-Handle

(Lead Free)

FEATURES

- 45° Angle prevents hose kinking
- Adjustable stem packing gland
- 300 PSI at 32° to 300° F
- Extended threads on bib spout for secure connection
- Forged brass C46500
- Low operating torque
- Lead Free meets NSF-61 Standard



No.	Item	Total	Material
1	Body	1	Lead Free Brass
2	Seat	2	PTFE
3	Ball	1	Lead Free Brass
4	O-Ring	2	NBR
5	Stem	1	Brass
6	Handle Nut	1	Plated Steel
7	Handle	1	Al-Alloy
8	Cap	1	Lead Free Brass

SKU	Size	D	W	L	H	MIP
BDMT050-C	1/2"	0.39"	3.41"	2.04"	1.57"	1/2"
BDMT075-C	3/4"	0.39"	3.50"	2.04"	1.57"	3/4"